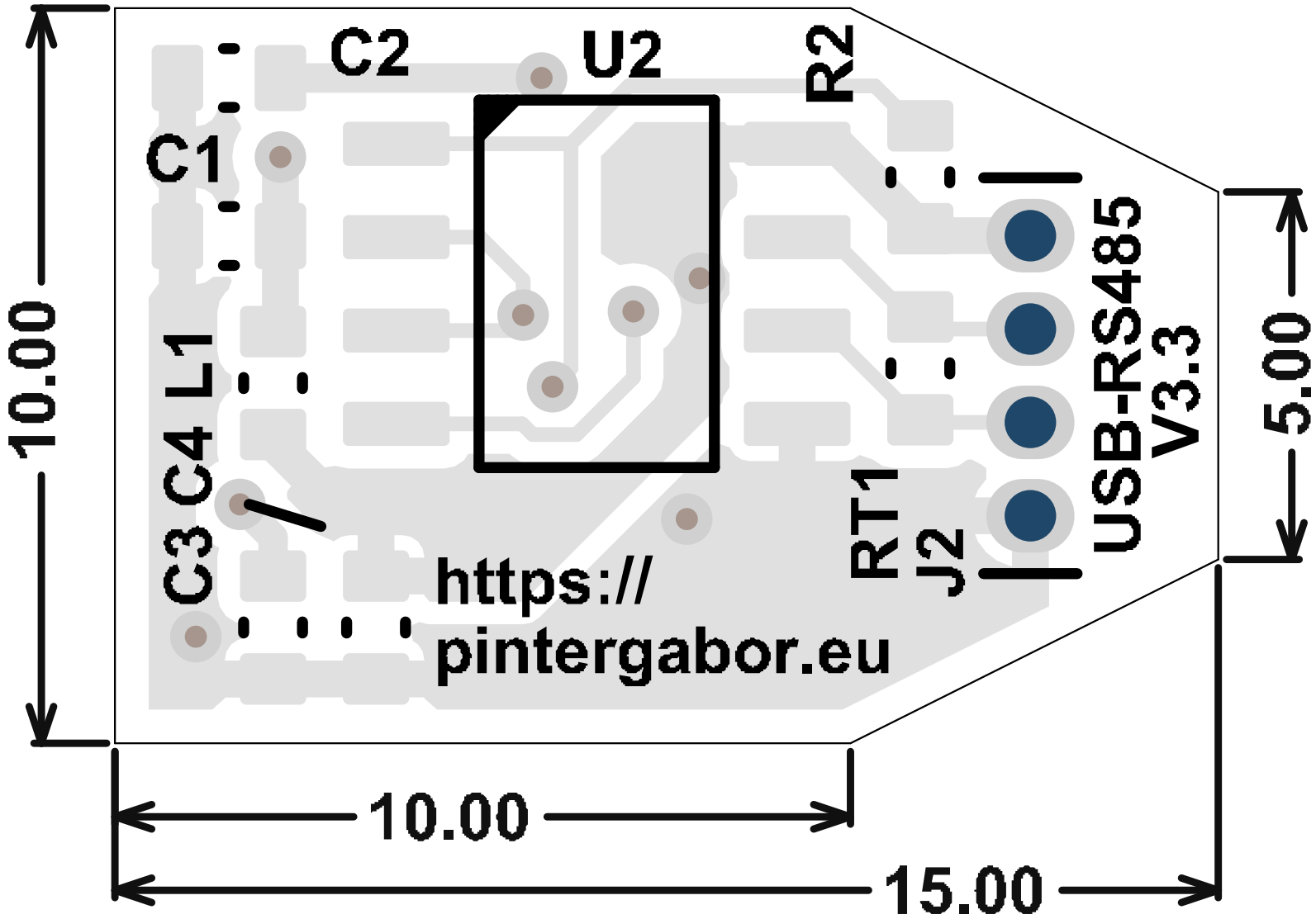
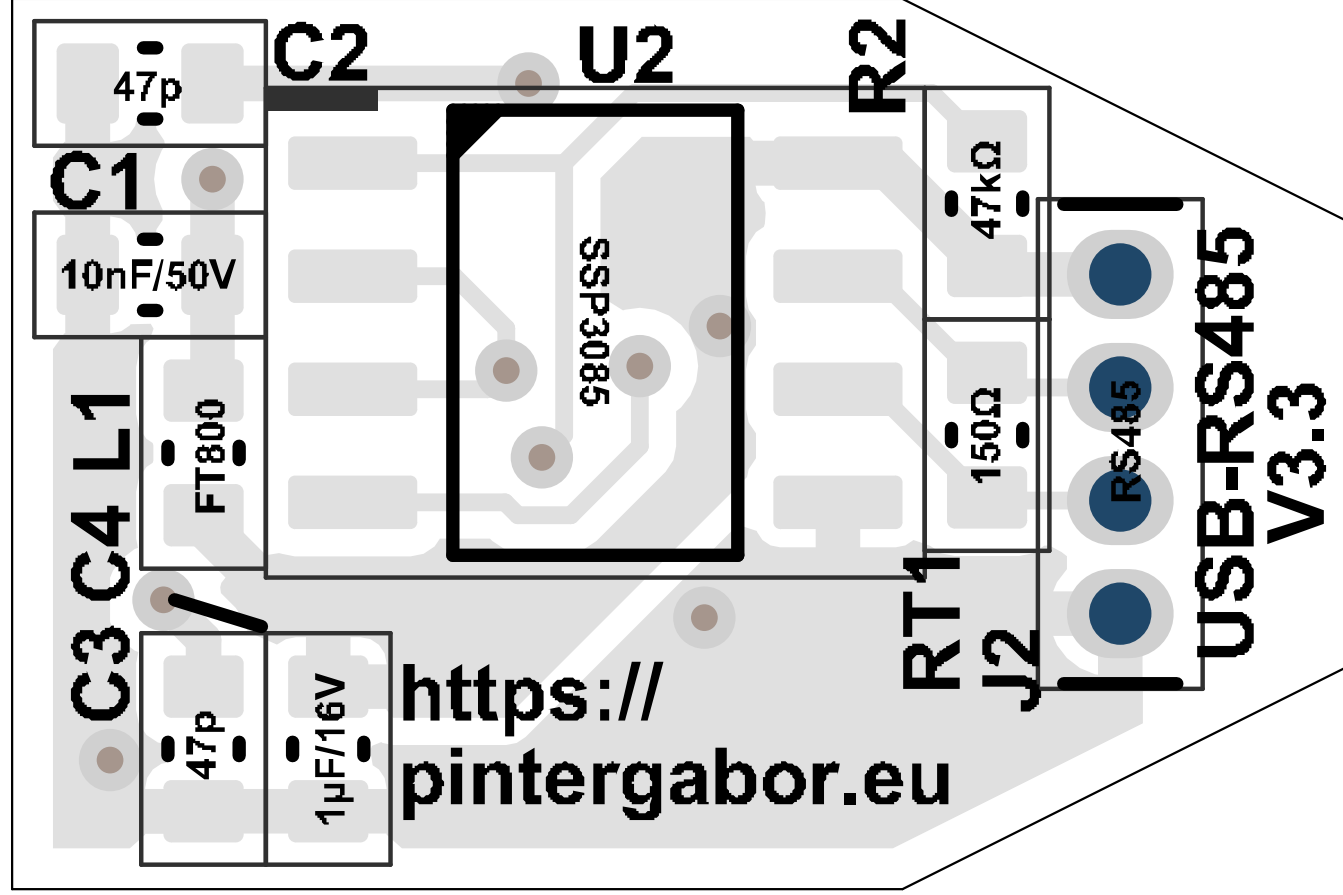
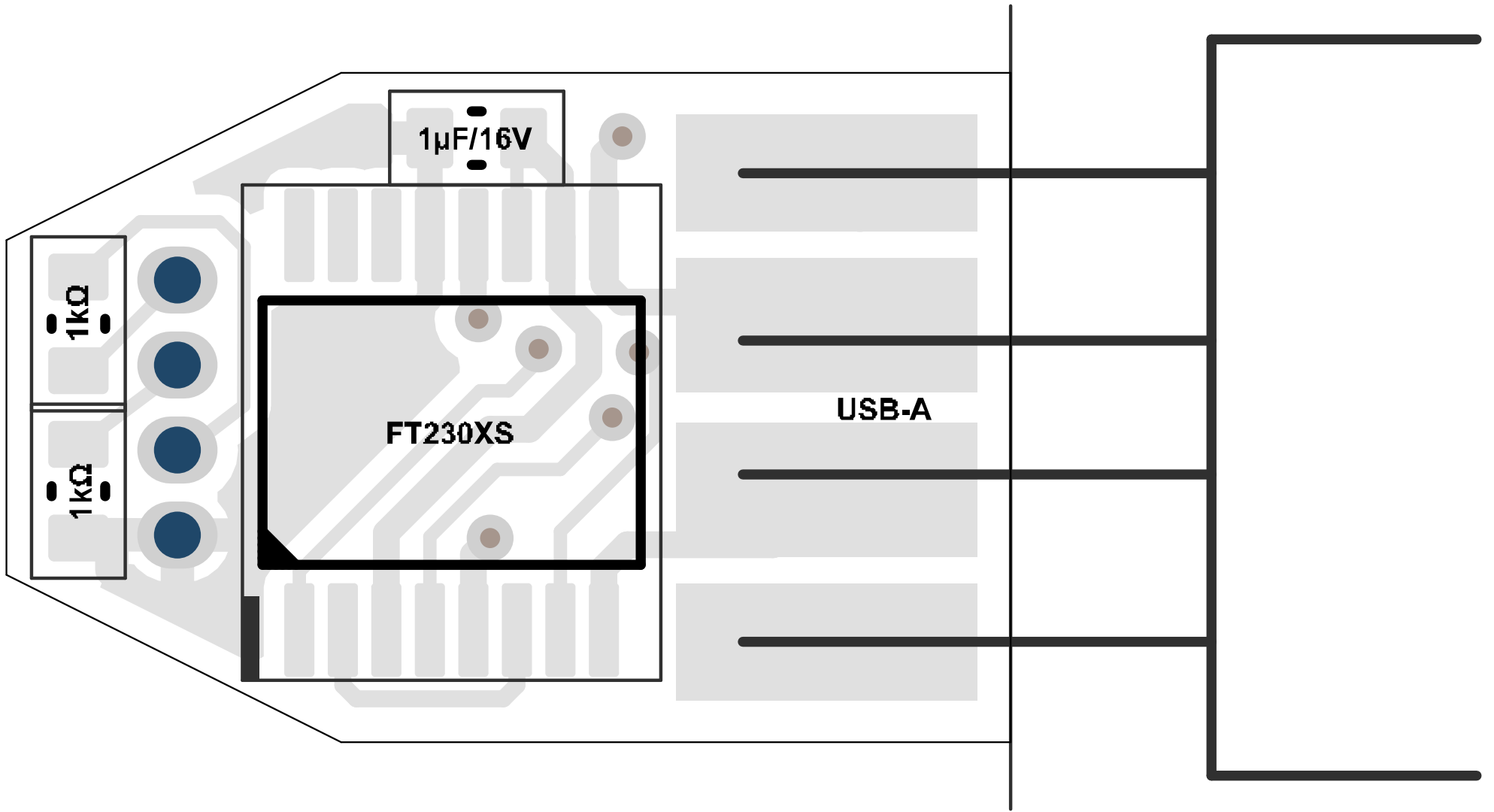


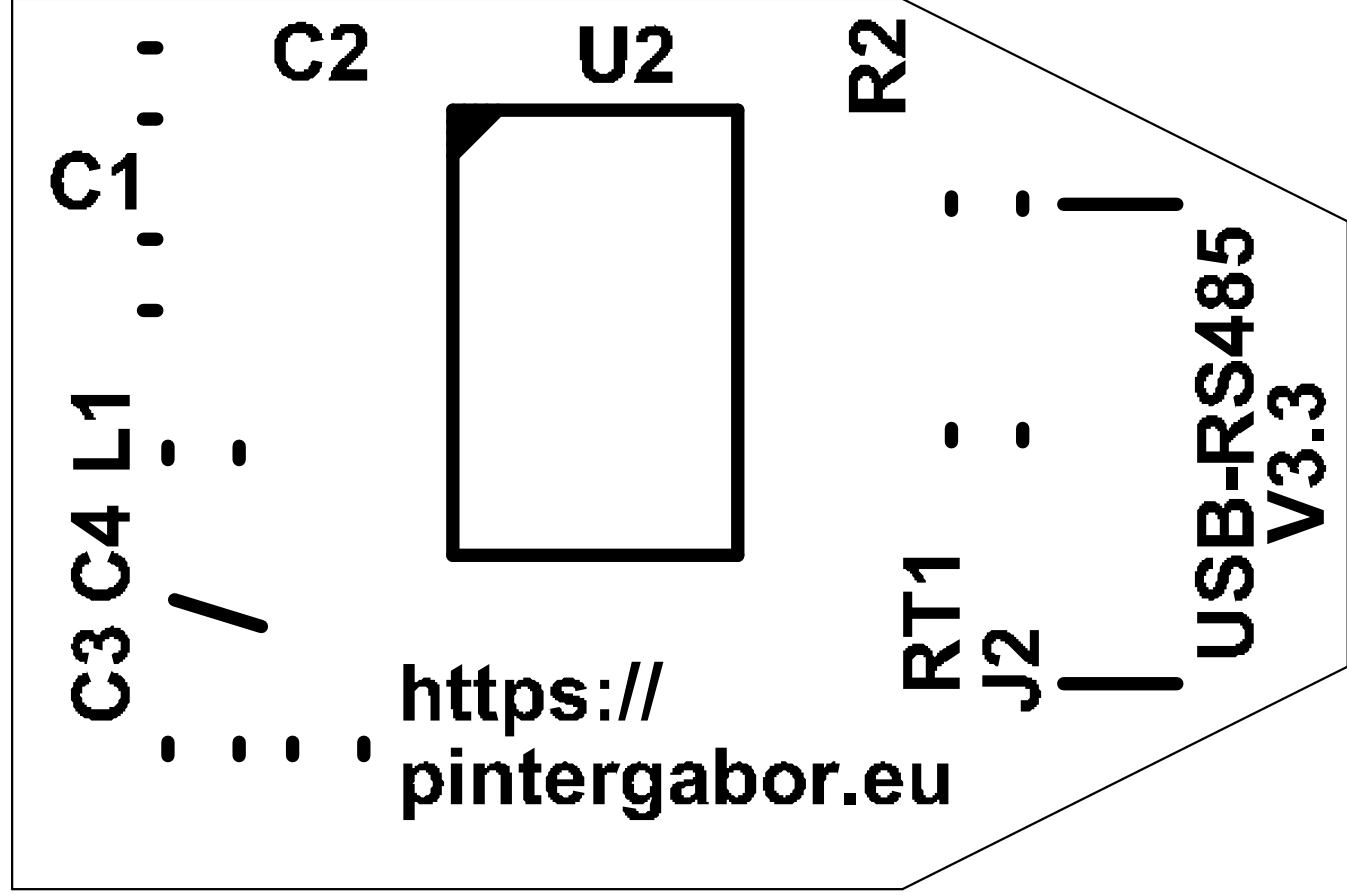
USB-RS485			V3.3
Gábor Pintér Einzelunternehmer <a href="https://pintergabor.eu">https://pintergabor.eu</a>	Designed by Pintér Gábor Checked by -	Sheet: 1 of 1	Date: 2020-01-01

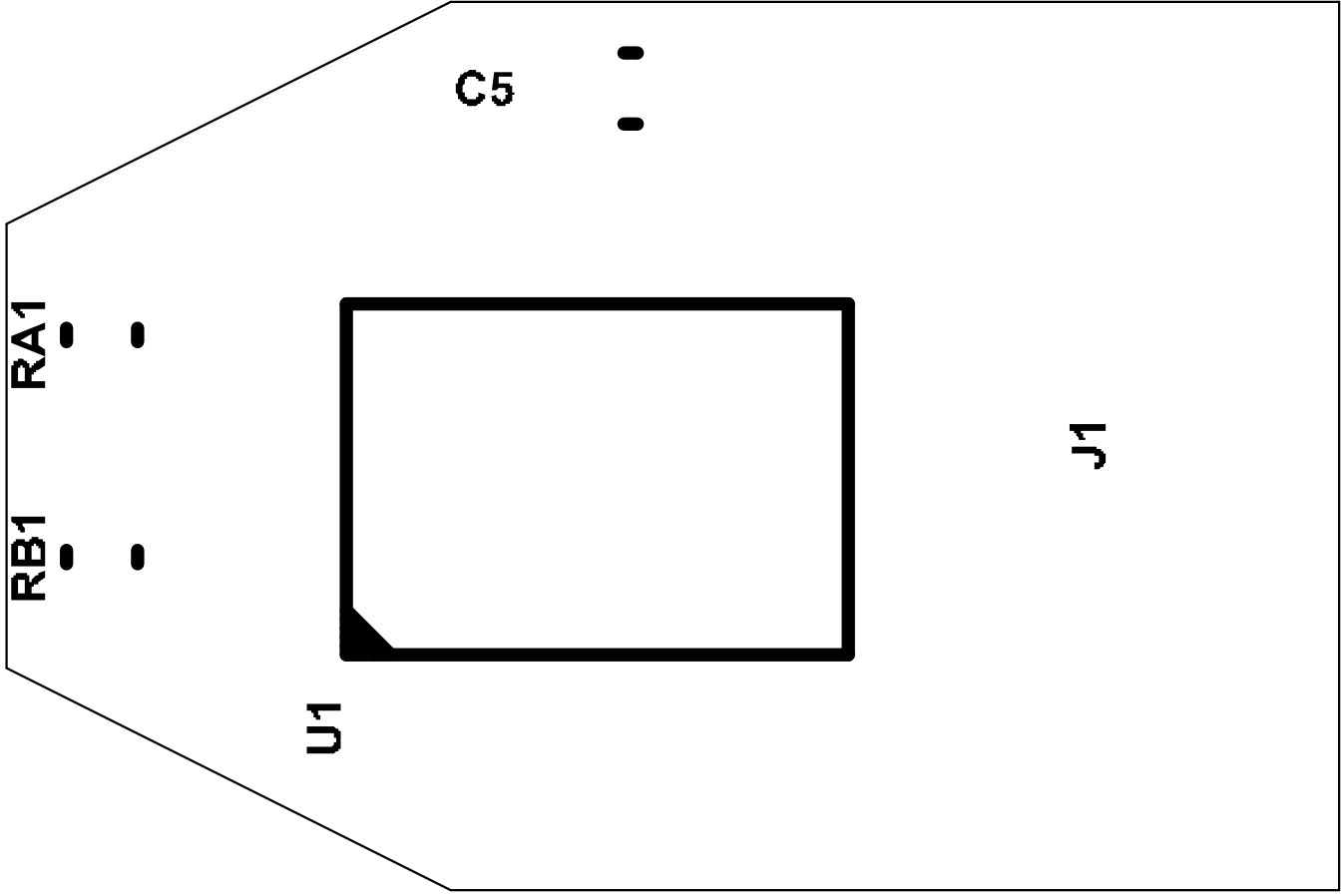
**USB-RS485 V3.3**  
**Gábor Pintér Einzelunternehmer**  
**Via: 0.7 / 0.3 mm**  
**Track: 0.2 mm**  
**Isolation: 0.2 mm**  
**PCB thickness: 0.6 mm**

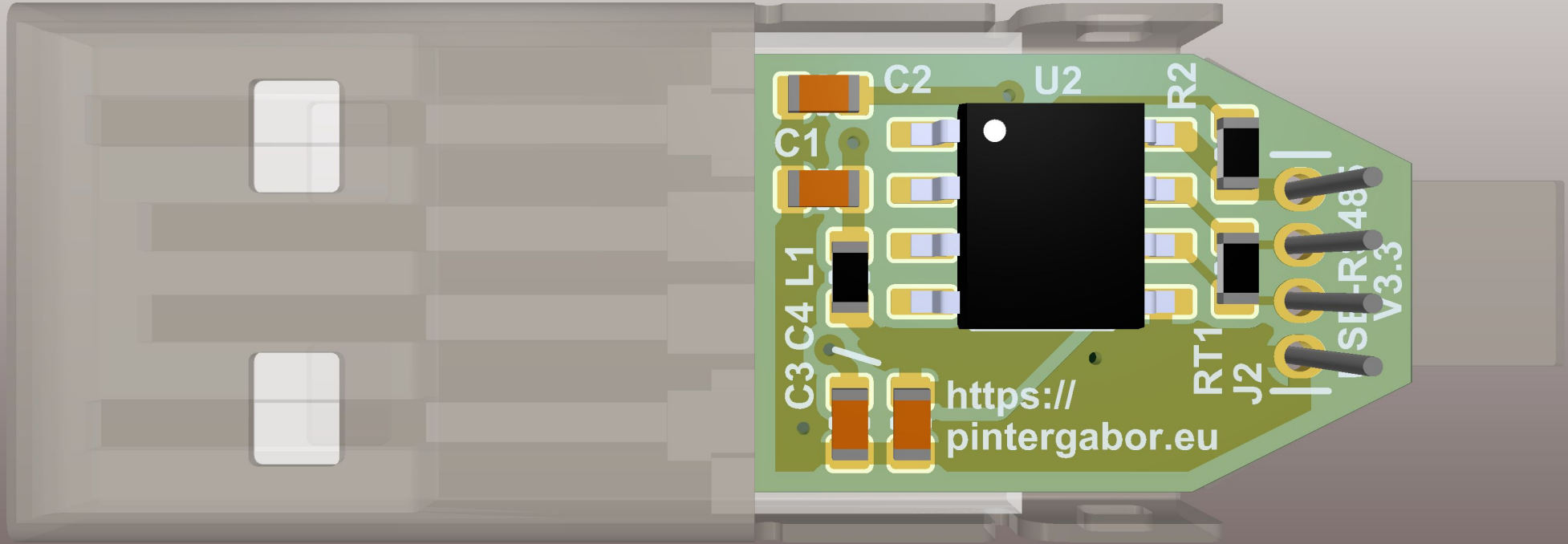


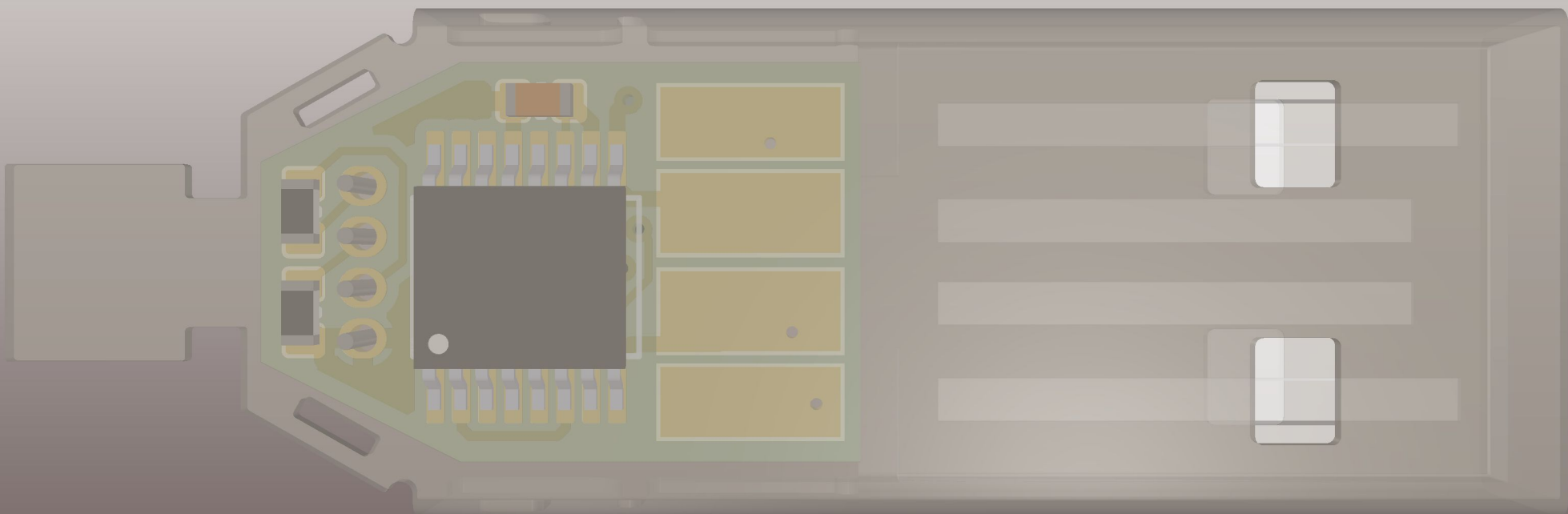




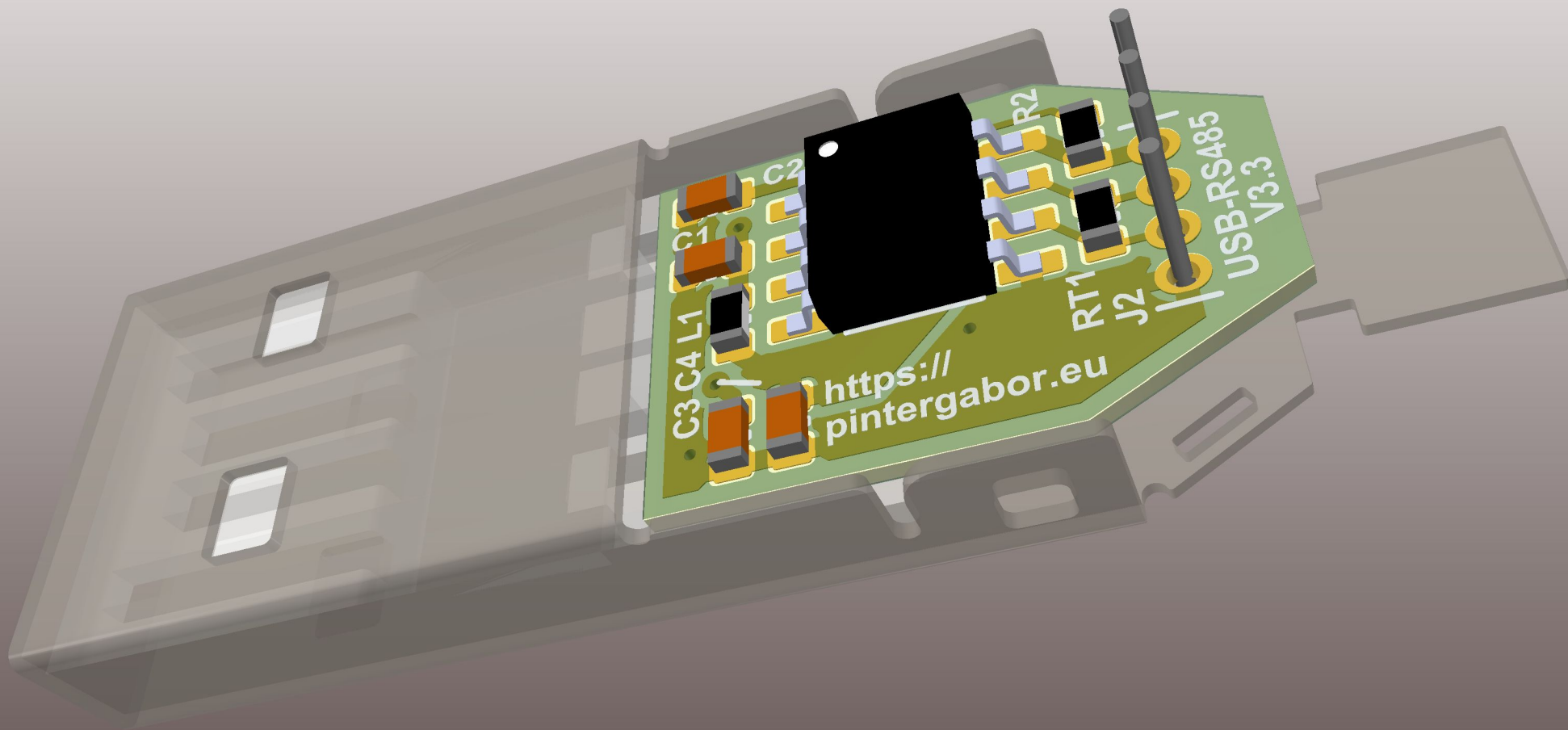












C3 C4 L1

C1

C2

<https://pintergabor.eu>

RT1

J2

R2

USB-RS485  
V3.3

