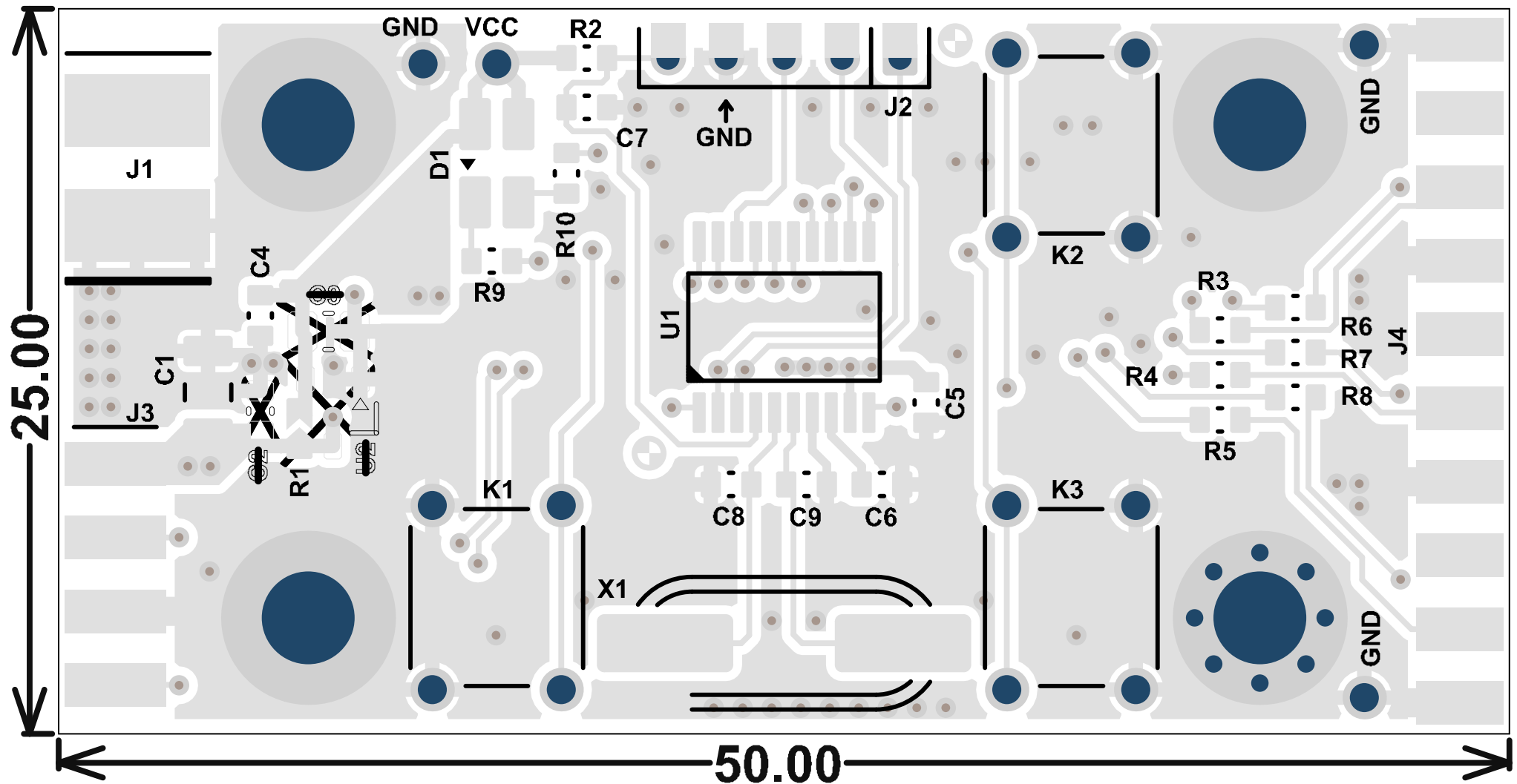
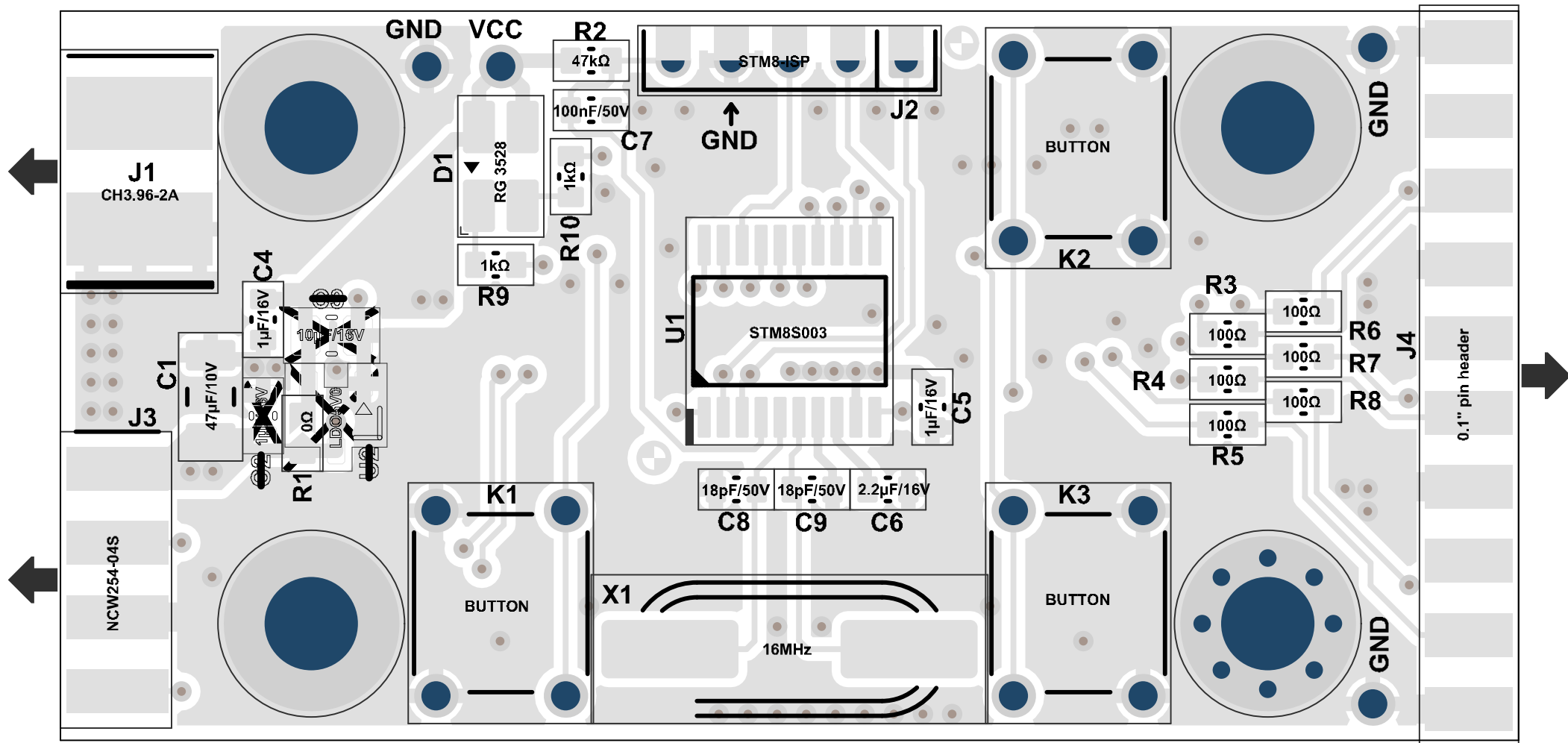
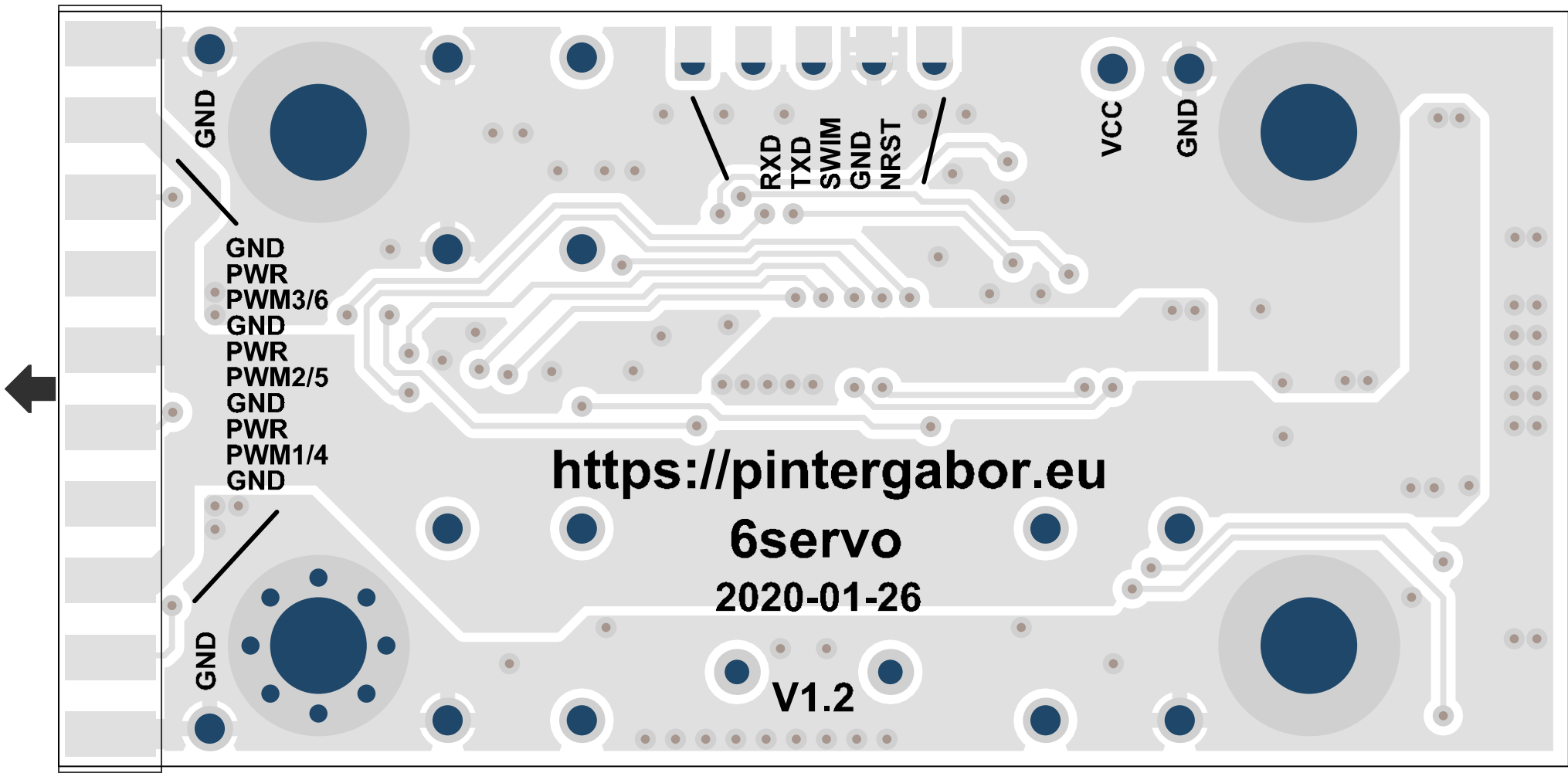


6servo			V1.2
Gábor Pintér Einzelunternehmer <a href="https://pintergabor.eu">https://pintergabor.eu</a>	Designed by Pintér Gábor Checked by -	Sheet: 1 of 1	Date: 2020-01-26

**6servo**  
**V1.2**  
**Gábor Pintér**  
**Einzelunternehmer**  
**Via: 0.7 / 0.3 mm**  
**Track: 0.2 mm**  
**Isolation: 0.2 mm**  
**PCB thickness: 1.6 mm**







GND

GND  
PWR  
PWM3/6  
GND  
PWR  
PWM2/5  
GND  
PWR  
PWM1/4  
GND

GND

RXD  
TXD  
SWIM  
GND  
NRST

VCC

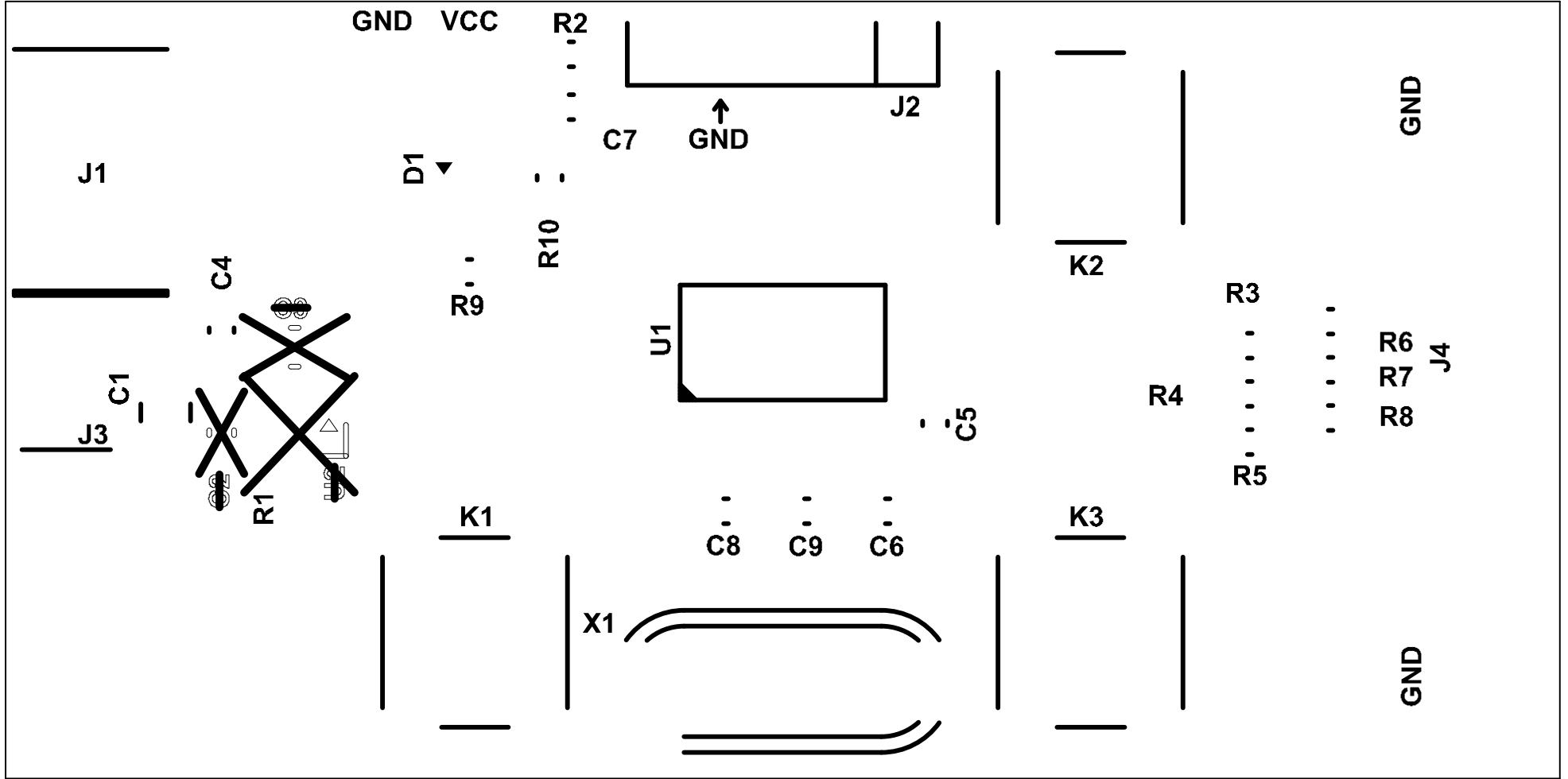
GND

<https://pintergabor.eu>

6servo

2020-01-26

V1.2



GND



GND  
PWR  
PWM3/6  
GND  
PWR  
PWM2/5  
GND  
PWR  
PWM1/4  
GND



GND



RXD  
TXD  
SWIM  
GND  
NRST

VCC

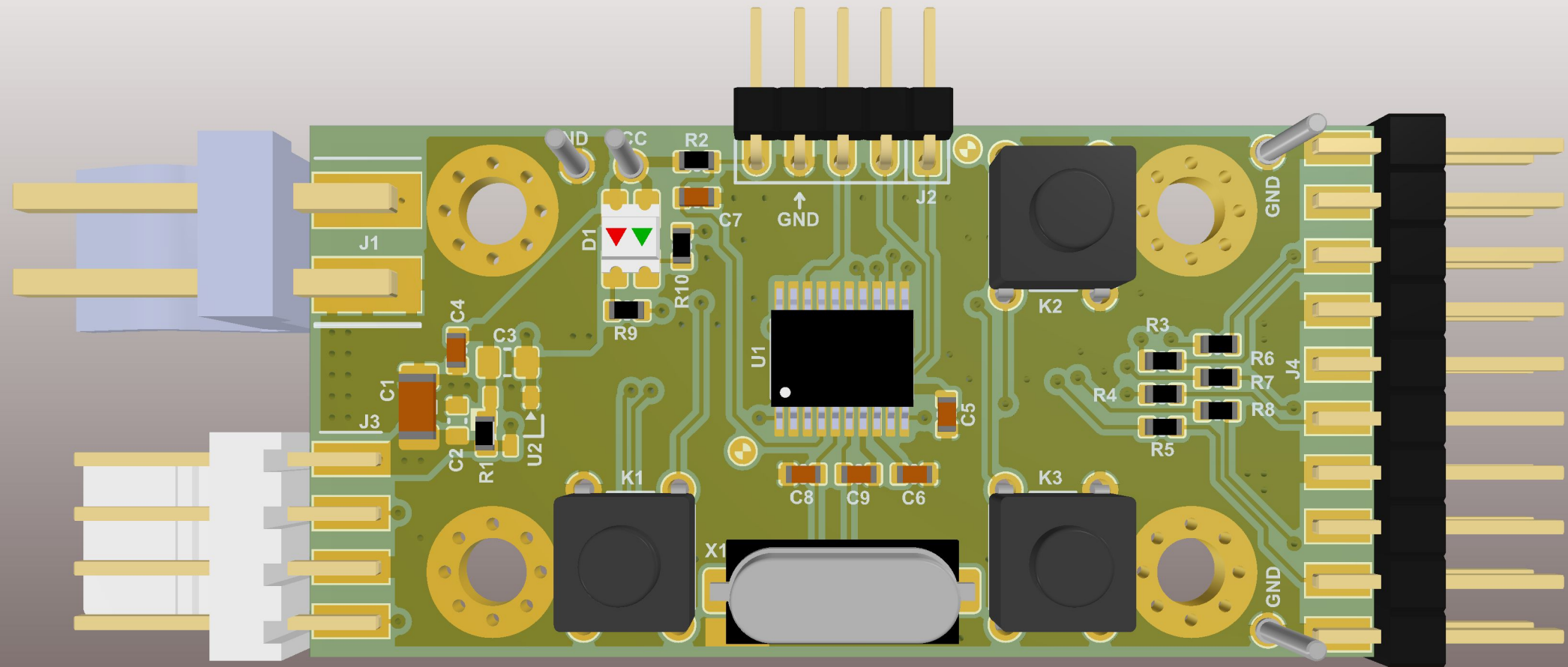
GND

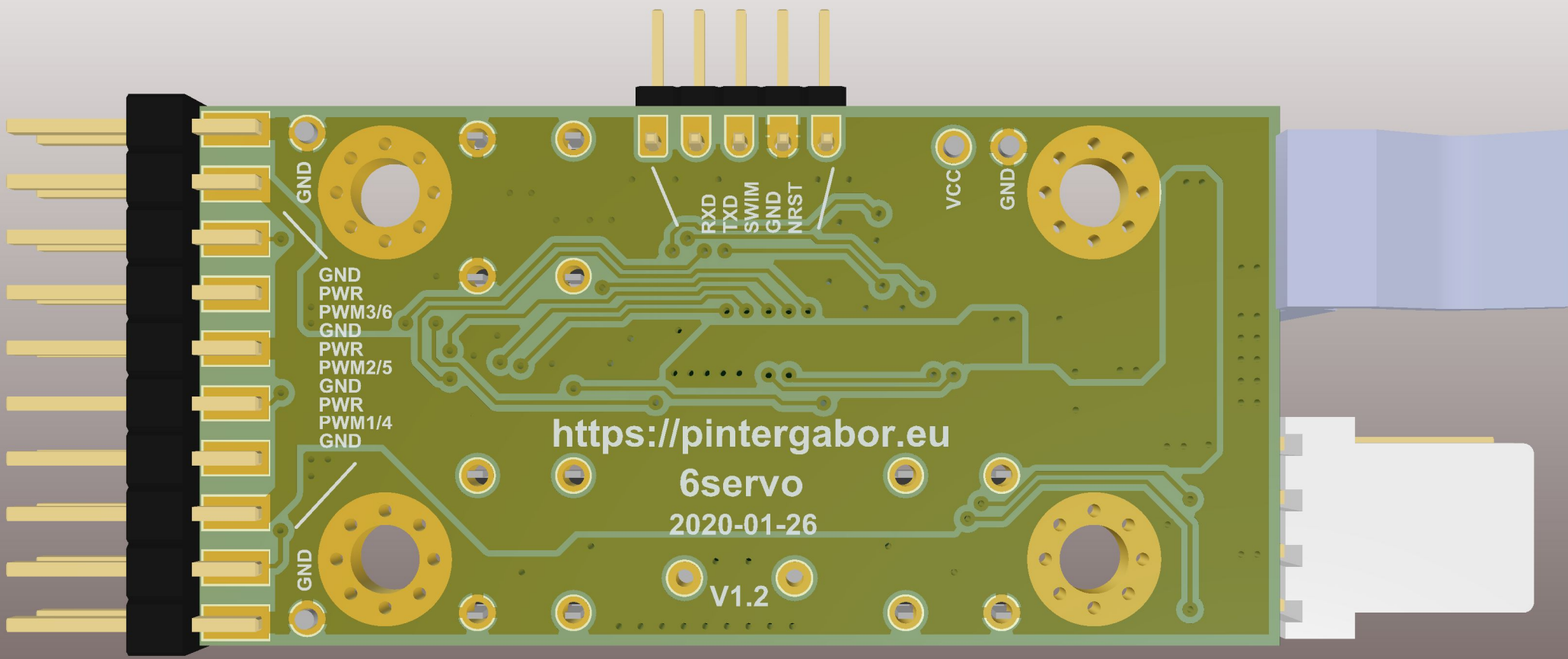
<https://pintergabor.eu>

**6servo**

2020-01-26

V1.2





GND

GND  
PWR  
PWM3/6  
GND  
PWR  
PWM2/5  
GND  
PWR  
PWM1/4  
GND

GND

RXD  
TXD  
SWIM  
GND  
NRST

VCC

GND

<https://pintergabor.eu>

6servo

2020-01-26

V1.2



