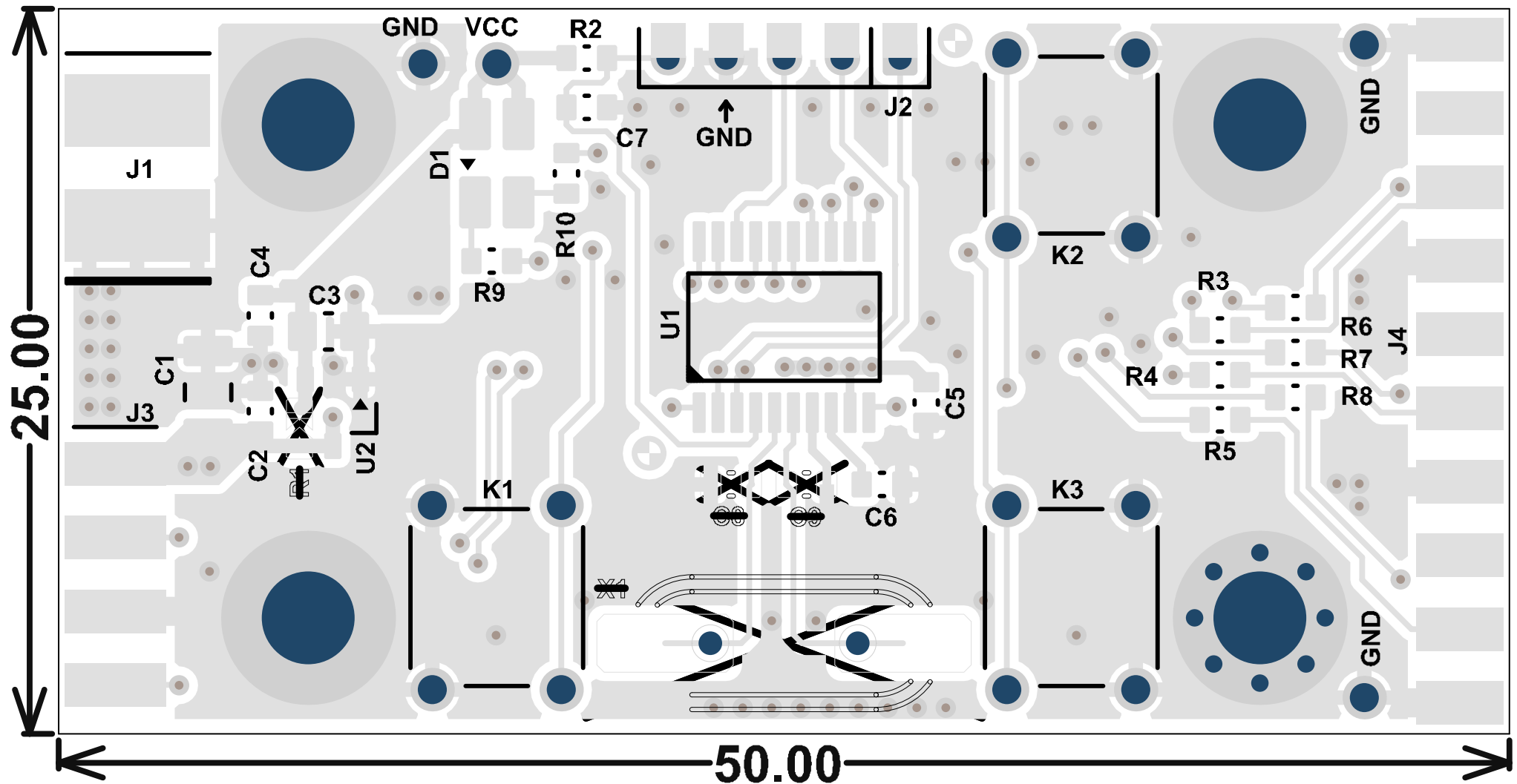
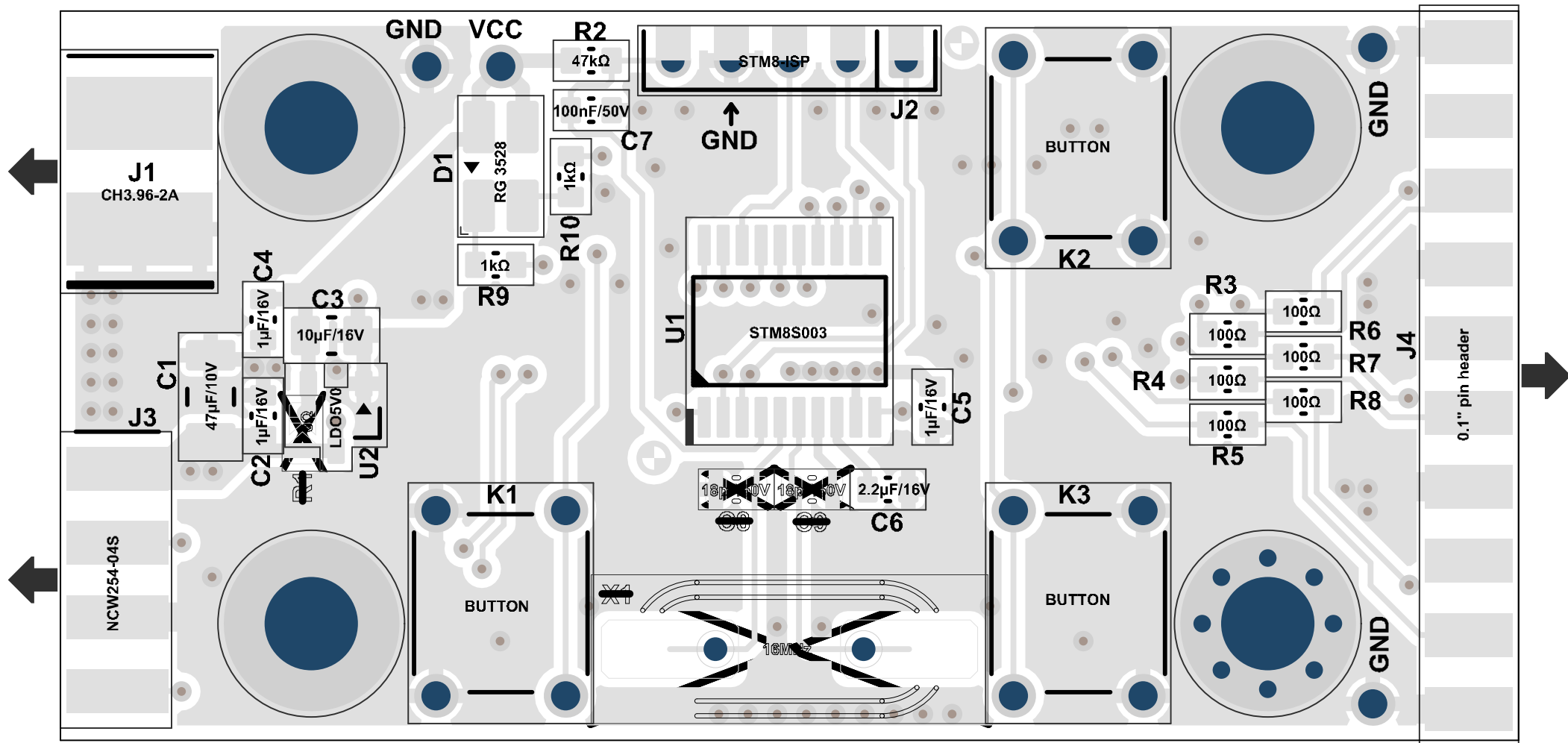
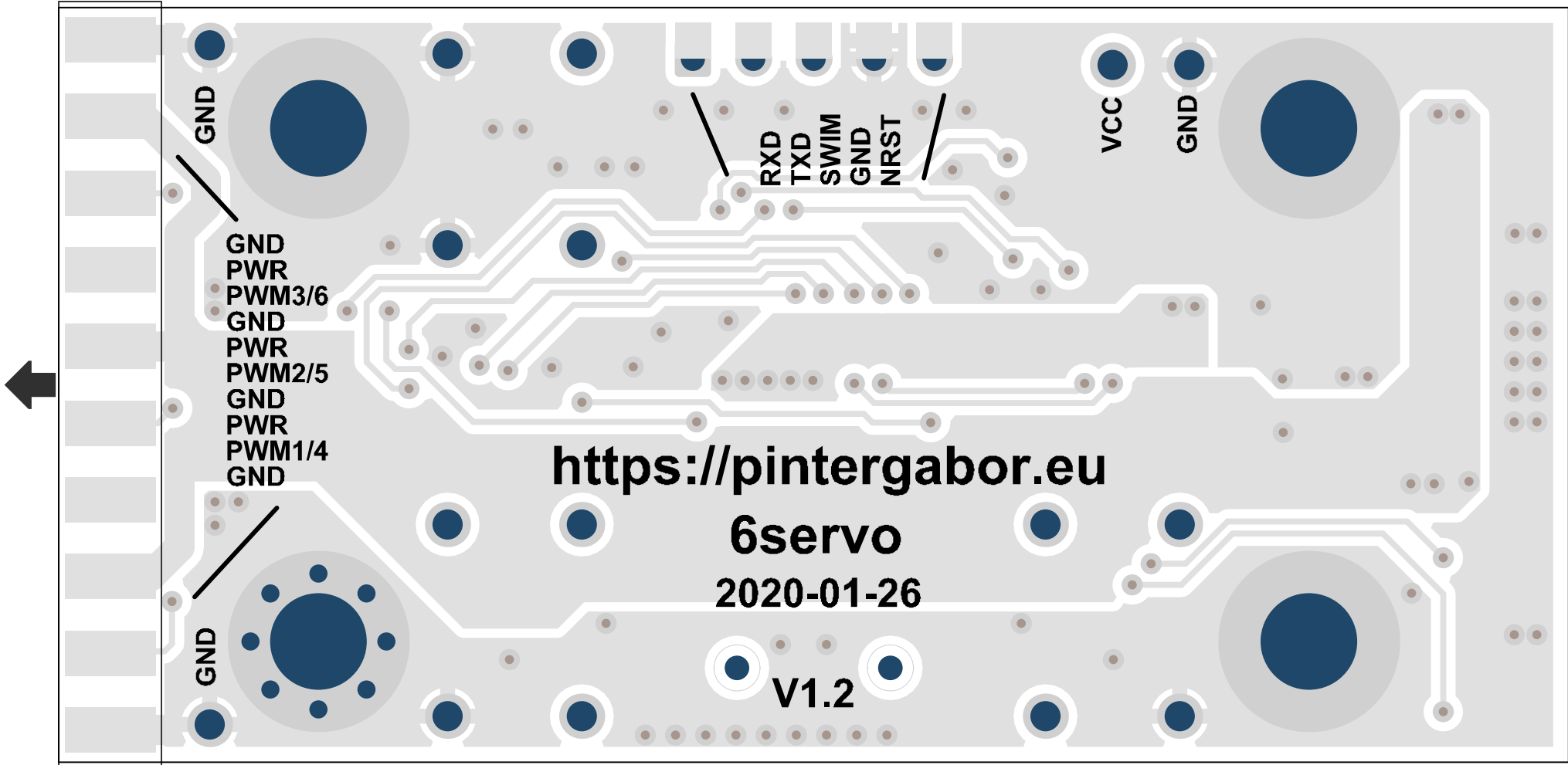


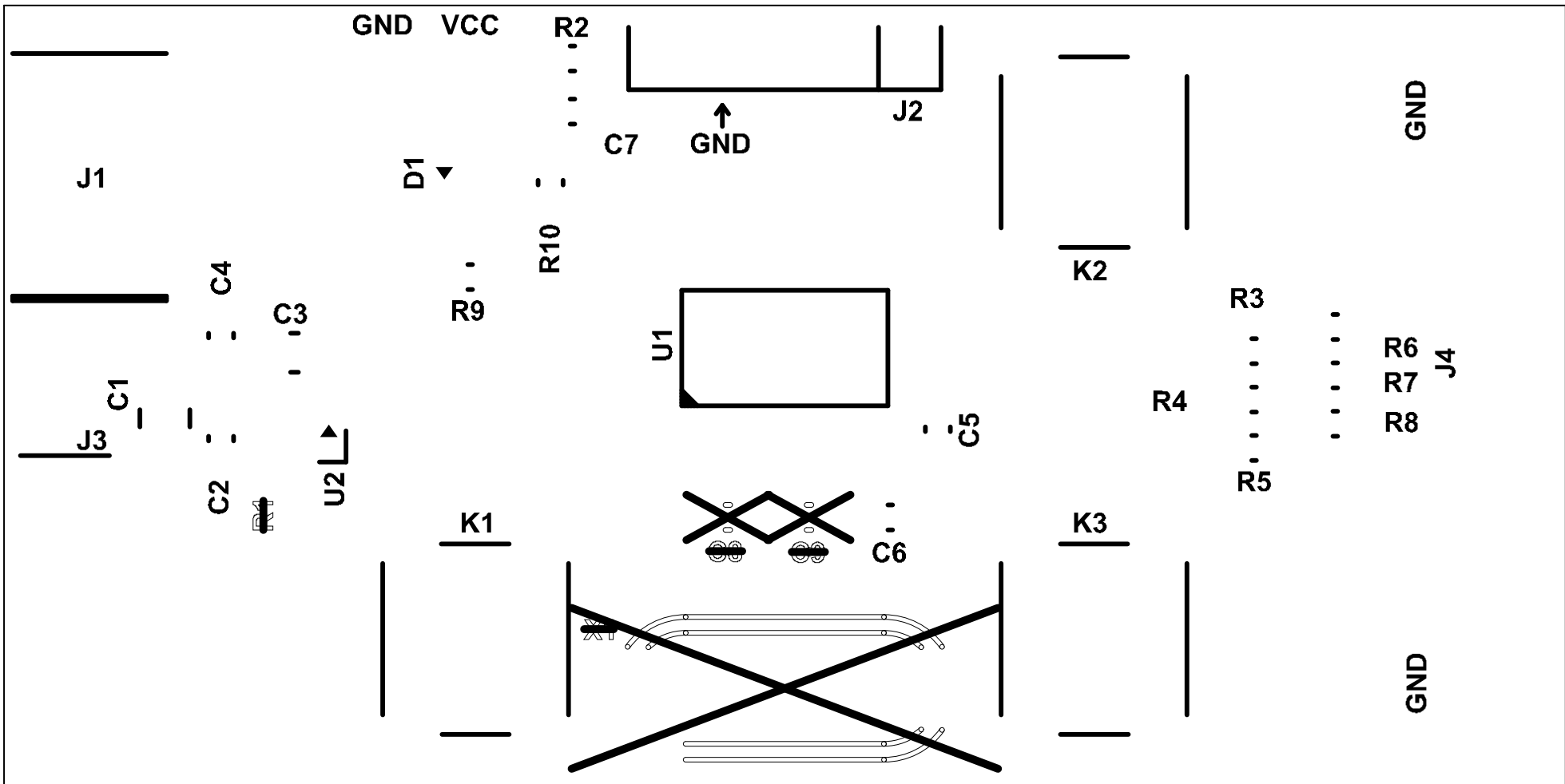
6servo			V1.2
Gábor Pintér Einzelunternehmer https://pintergabor.eu	Designed by Pintér Gábor Checked by -	Sheet: 1 of 1	Date: 2020-01-26

6servo
V1.2
Gábor Pintér
Einzelunternehmer
Via: 0.7 / 0.3 mm
Track: 0.2 mm
Isolation: 0.2 mm
PCB thickness: 1.6 mm





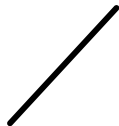




GND



GND
PWR
PWM3/6
GND
PWR
PWM2/5
GND
PWR
PWM1/4
GND



GND



RXD
TXD
SWIM
GND
NRST

VCC

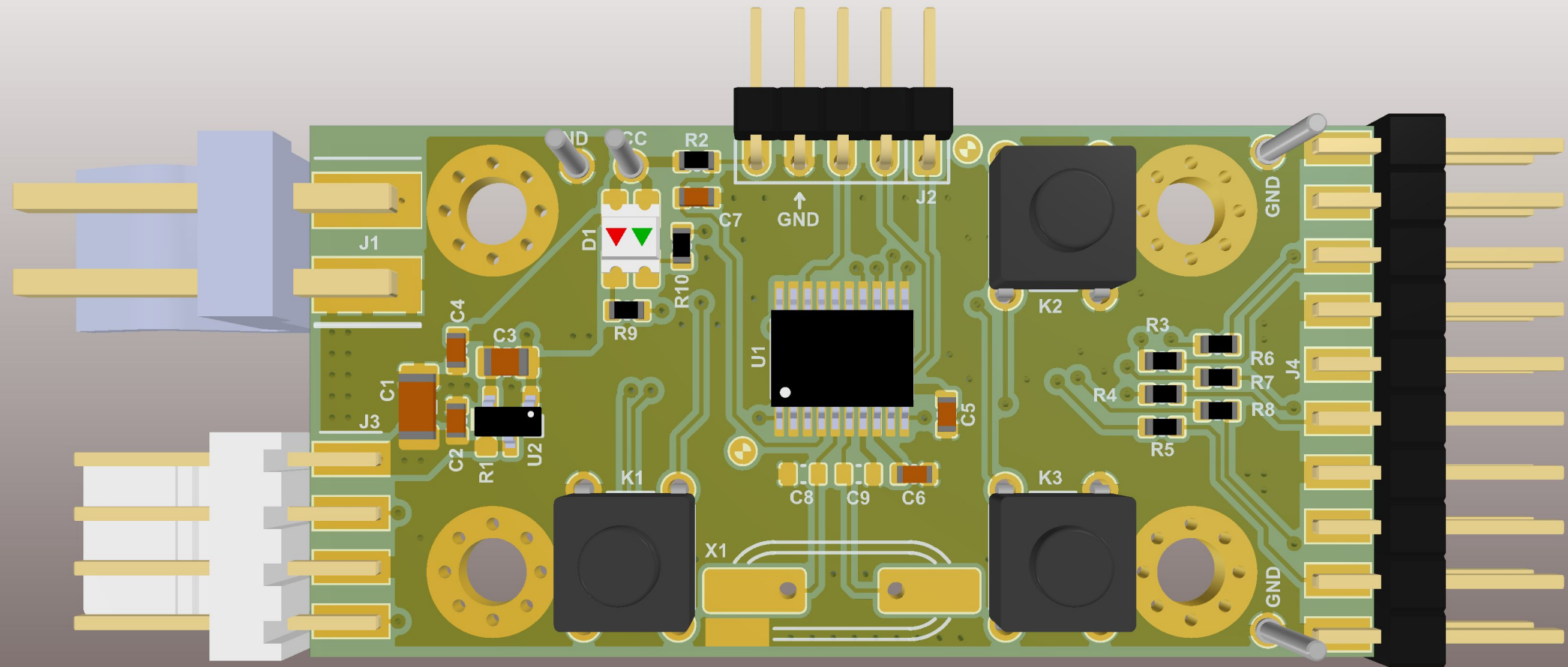
GND

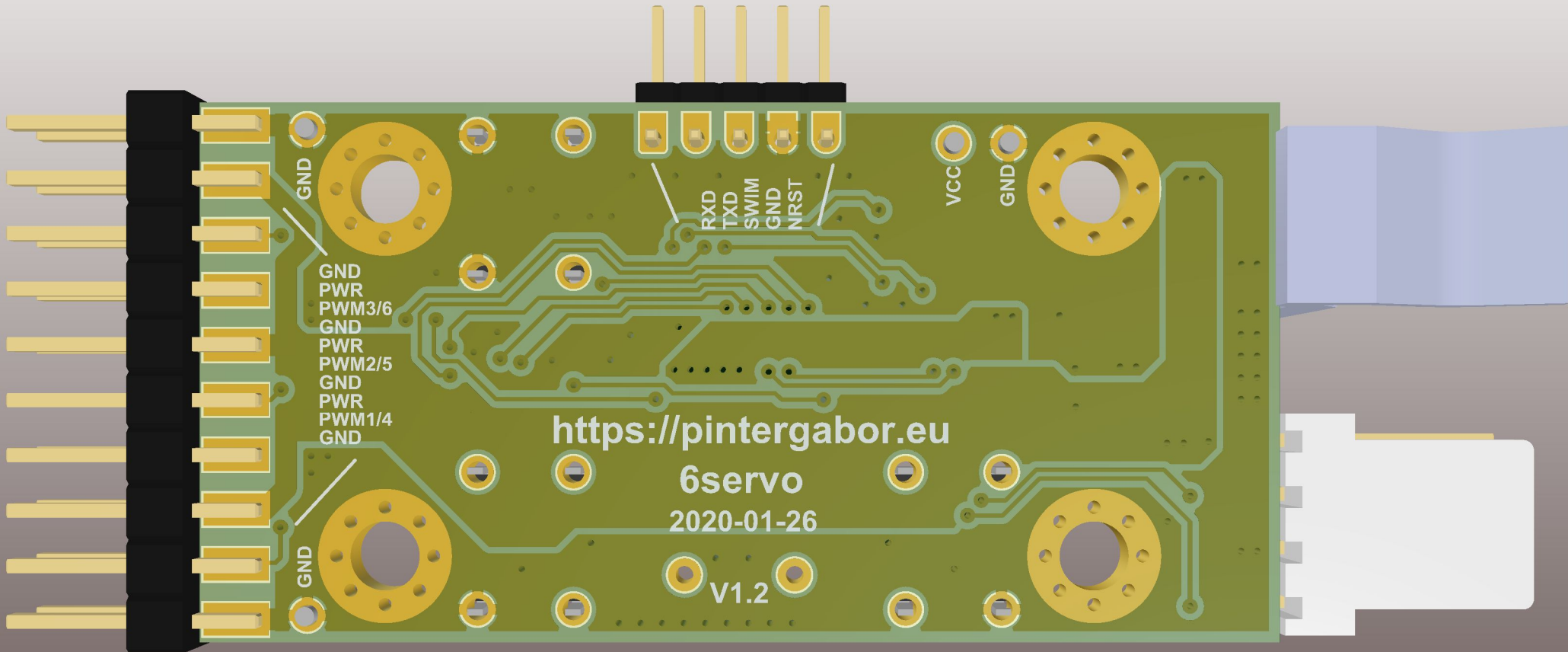
<https://pintergabor.eu>

6servo

2020-01-26

V1.2





GND

GND
PWR
PWM3/6
GND
PWR
PWM2/5
GND
PWR
PWM1/4
GND

GND

RXD
TXD
SWIM
GND
NRST

VCC

GND

<https://pintergabor.eu>

6servo

2020-01-26

V1.2

