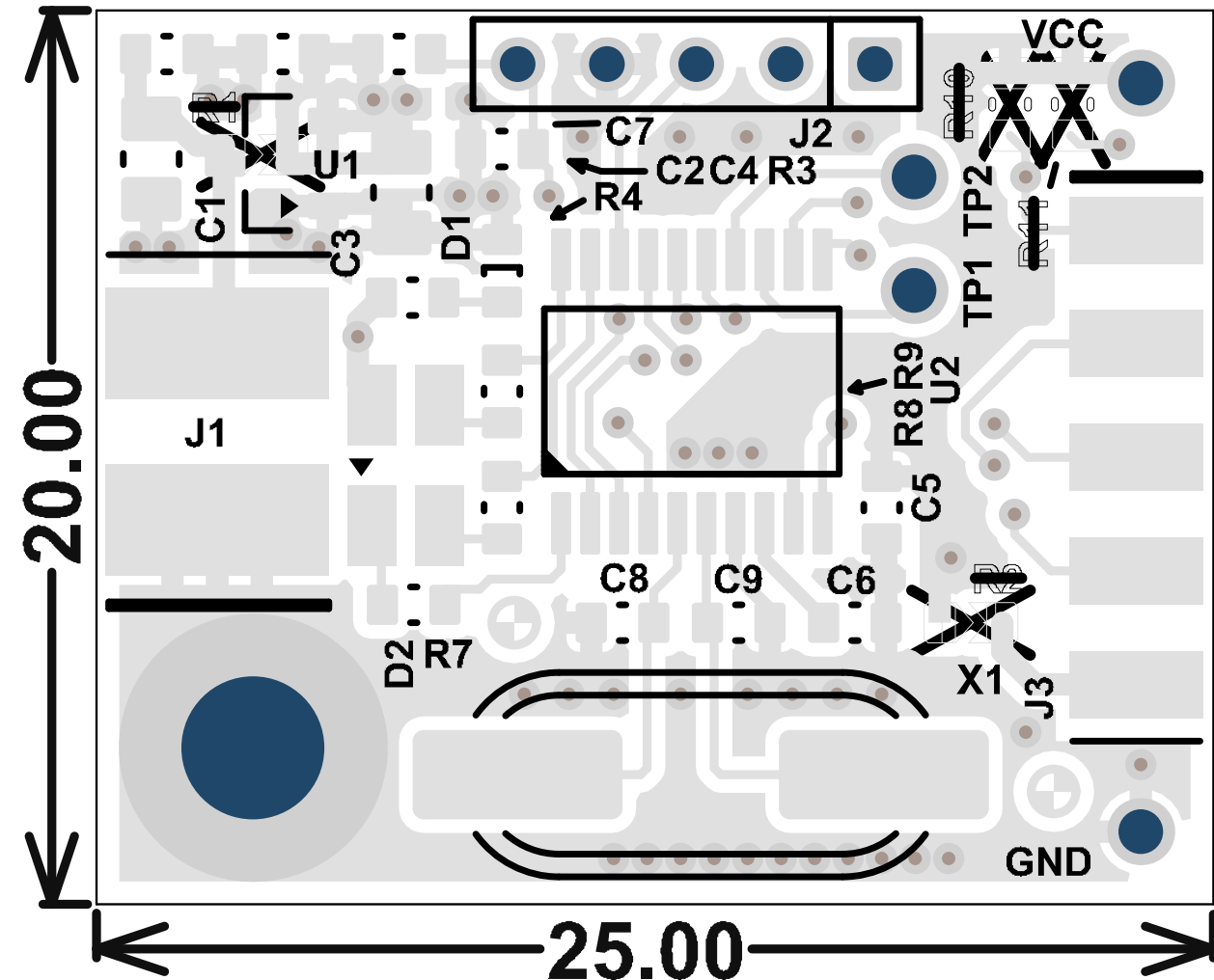


STM8S-Blinky		V1.0	
Gábor Pintér Einzelunternehmer <a href="https://www.pintergabor.eu">https://www.pintergabor.eu</a>	Designed by Pintér Gábor Checked by -	Sheet: 1 of 1	Date: 2019-11-19



# STM8S-Blinky

V1.0

Gábor Pintér

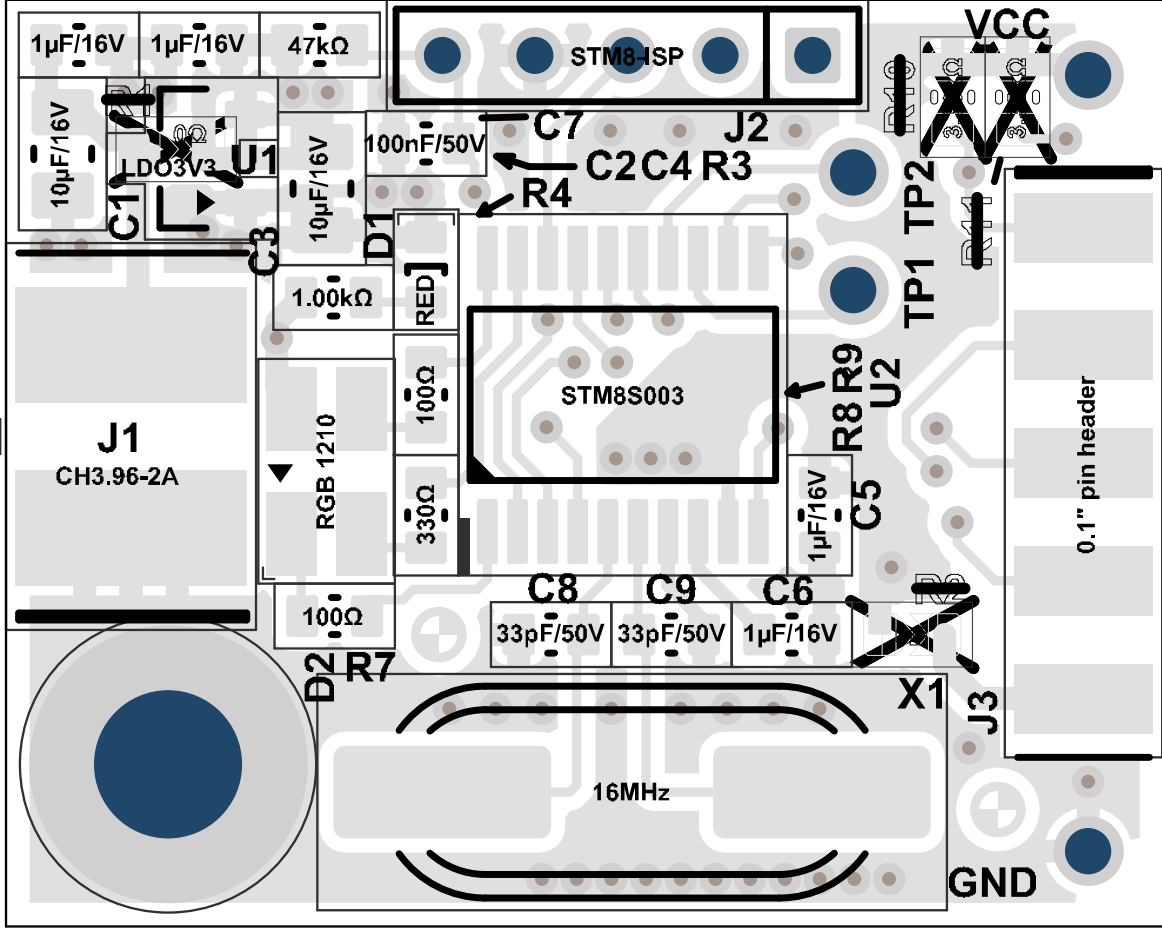
Einzelunternehmer

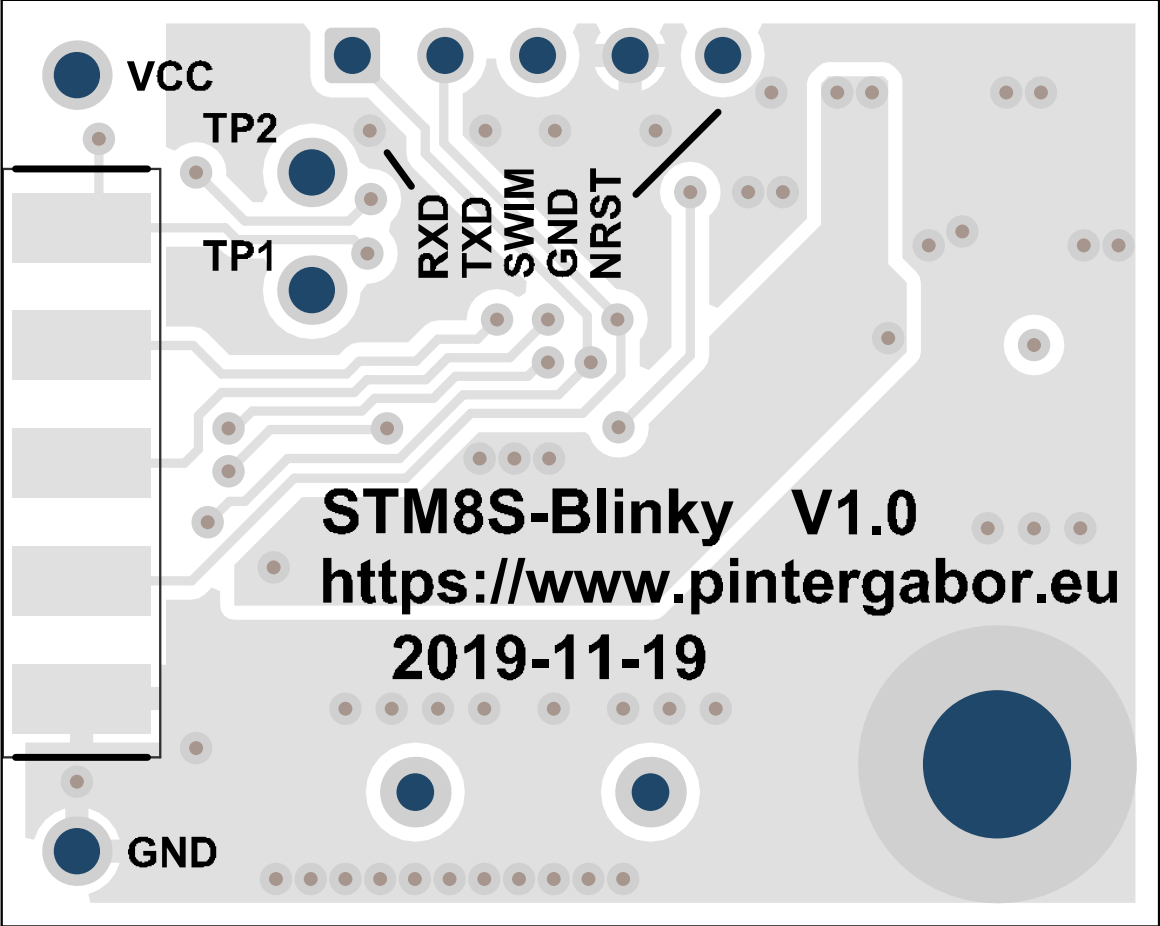
Via: 0.7 / 0.3 mm

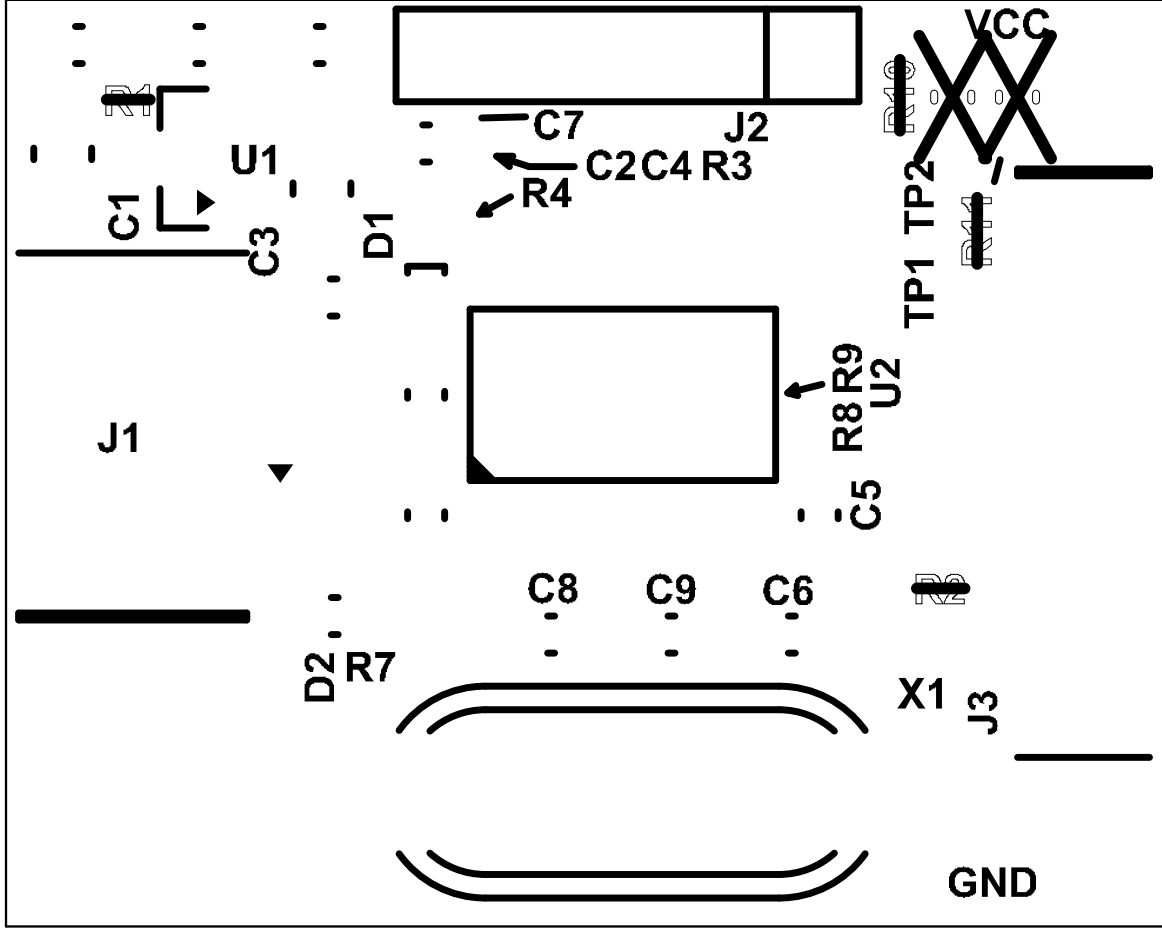
Track: 0.2 mm

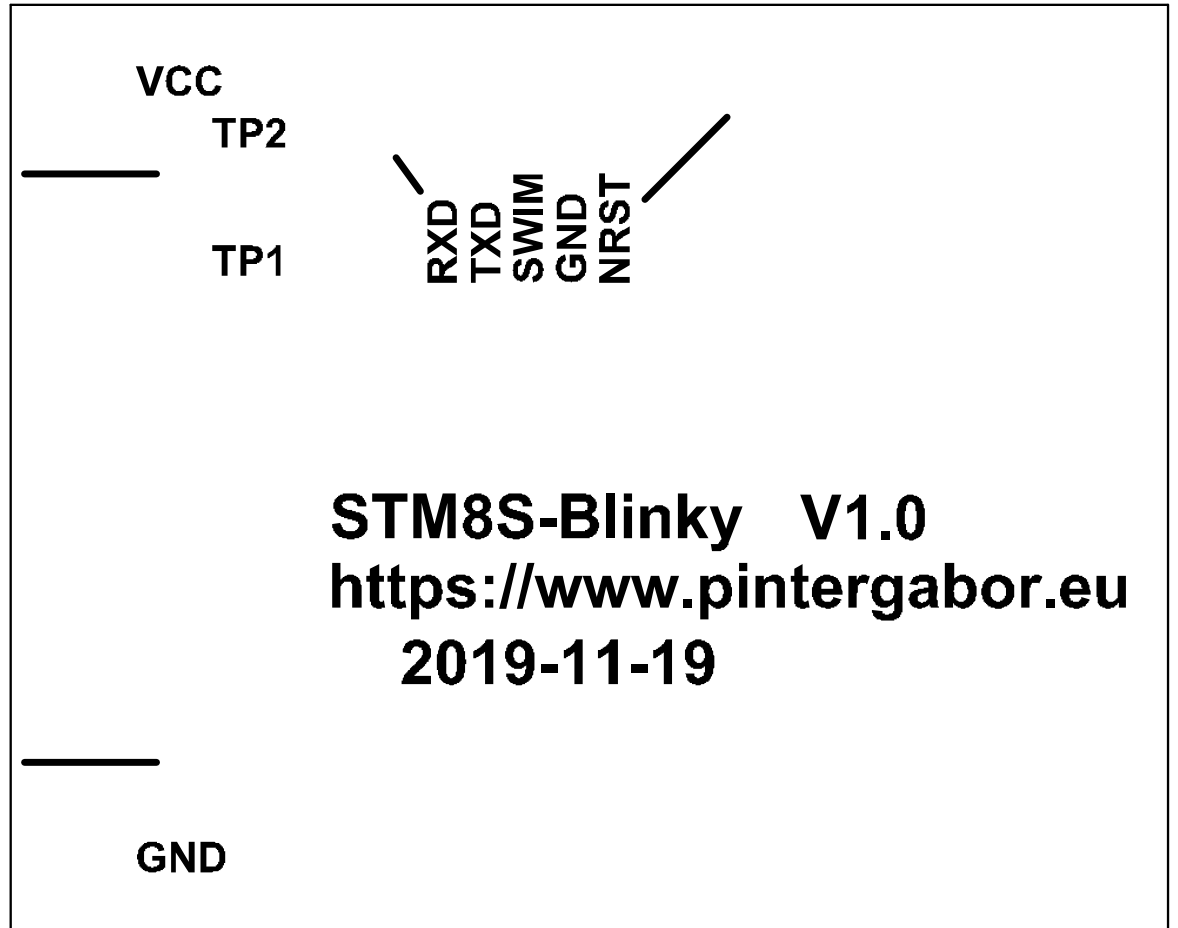
Isolation: 0.2 mm

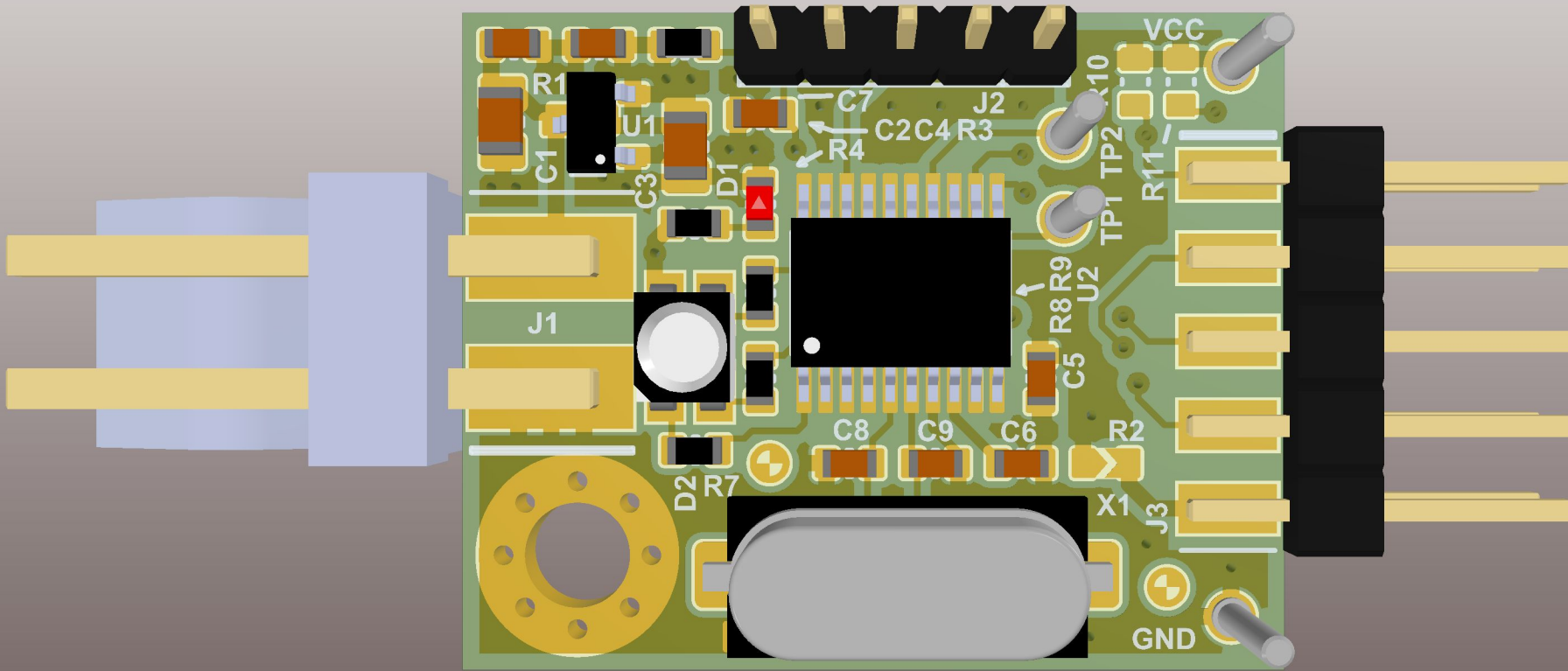
PCB thickness: 1.6 mm

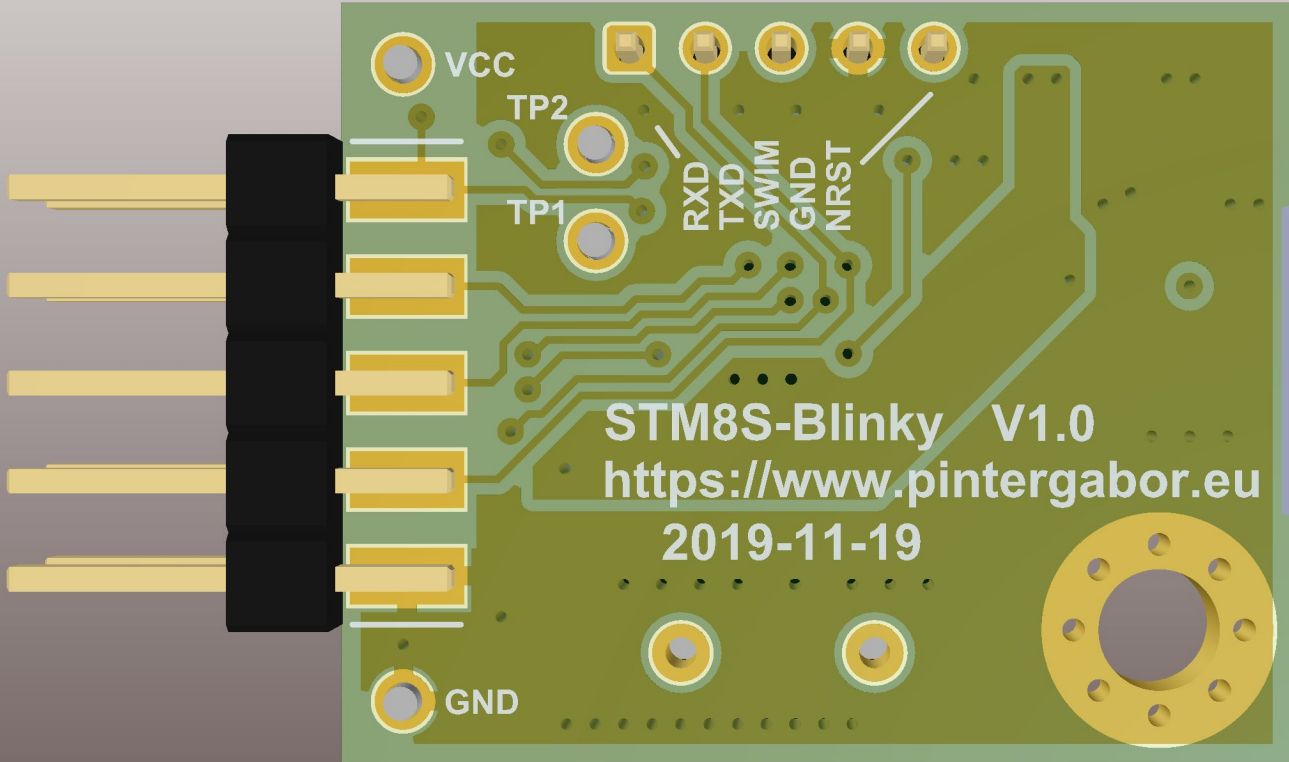












STM8S-Blinky V1.0  
<https://www.pintergabor.eu>  
2019-11-19

