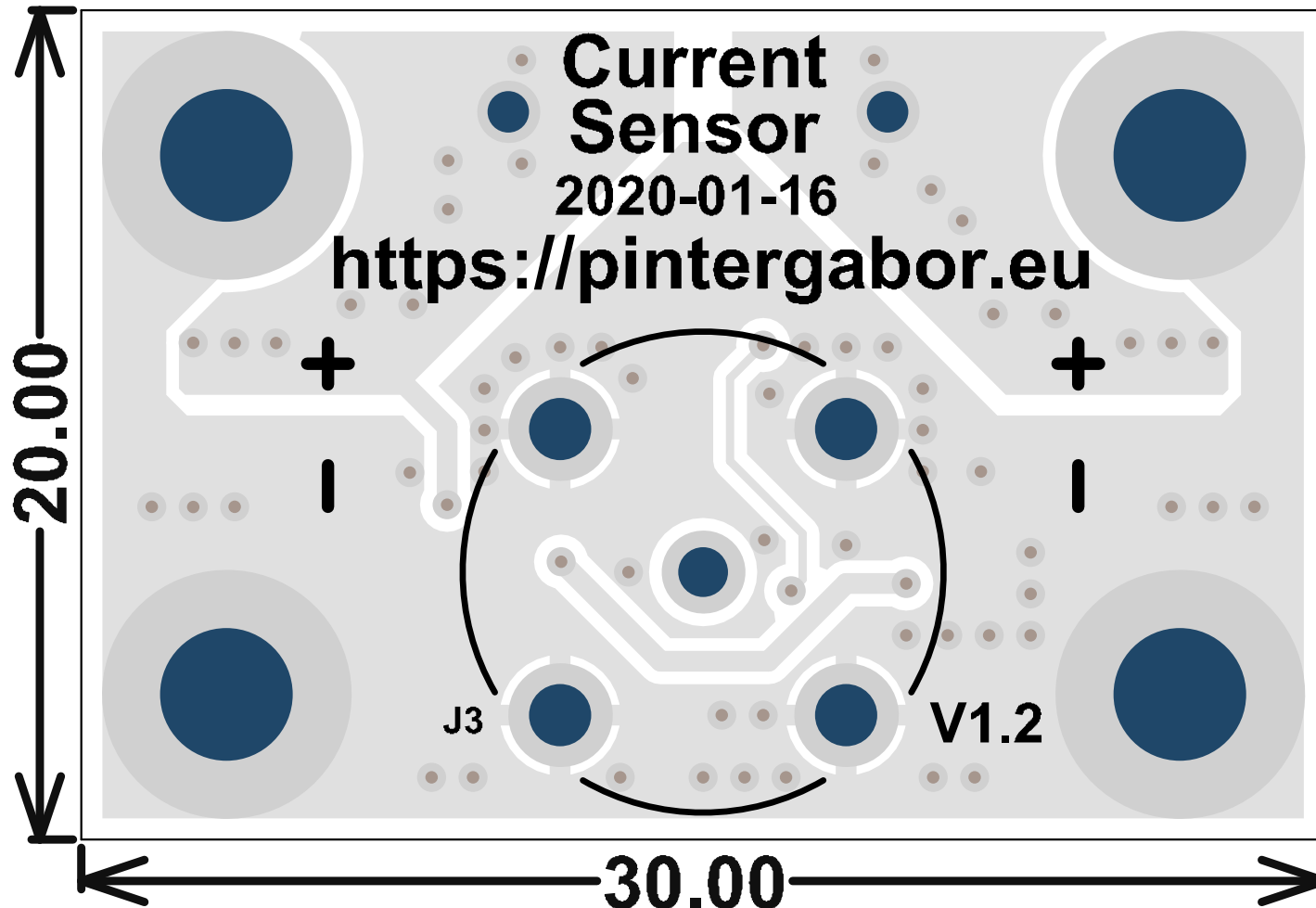
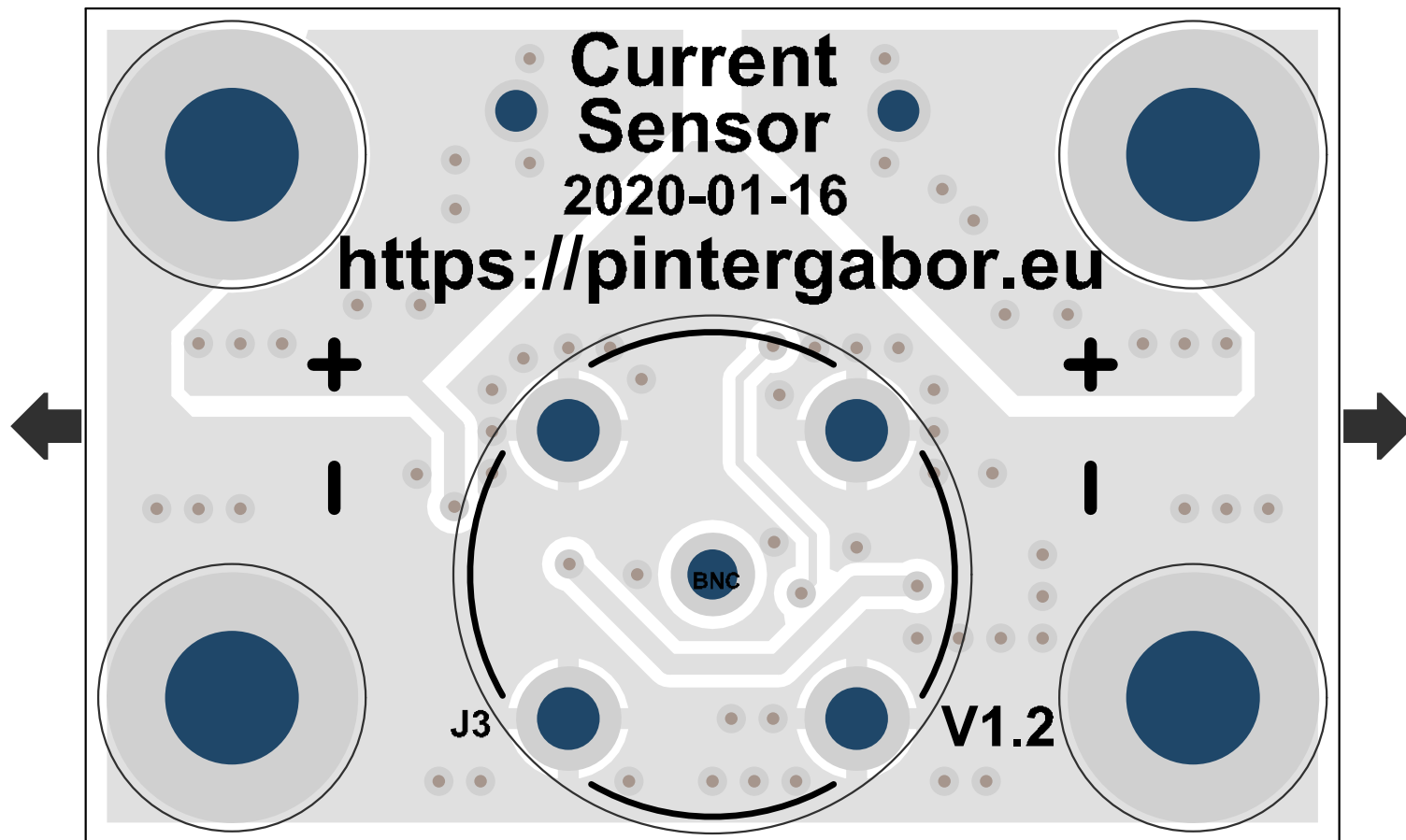
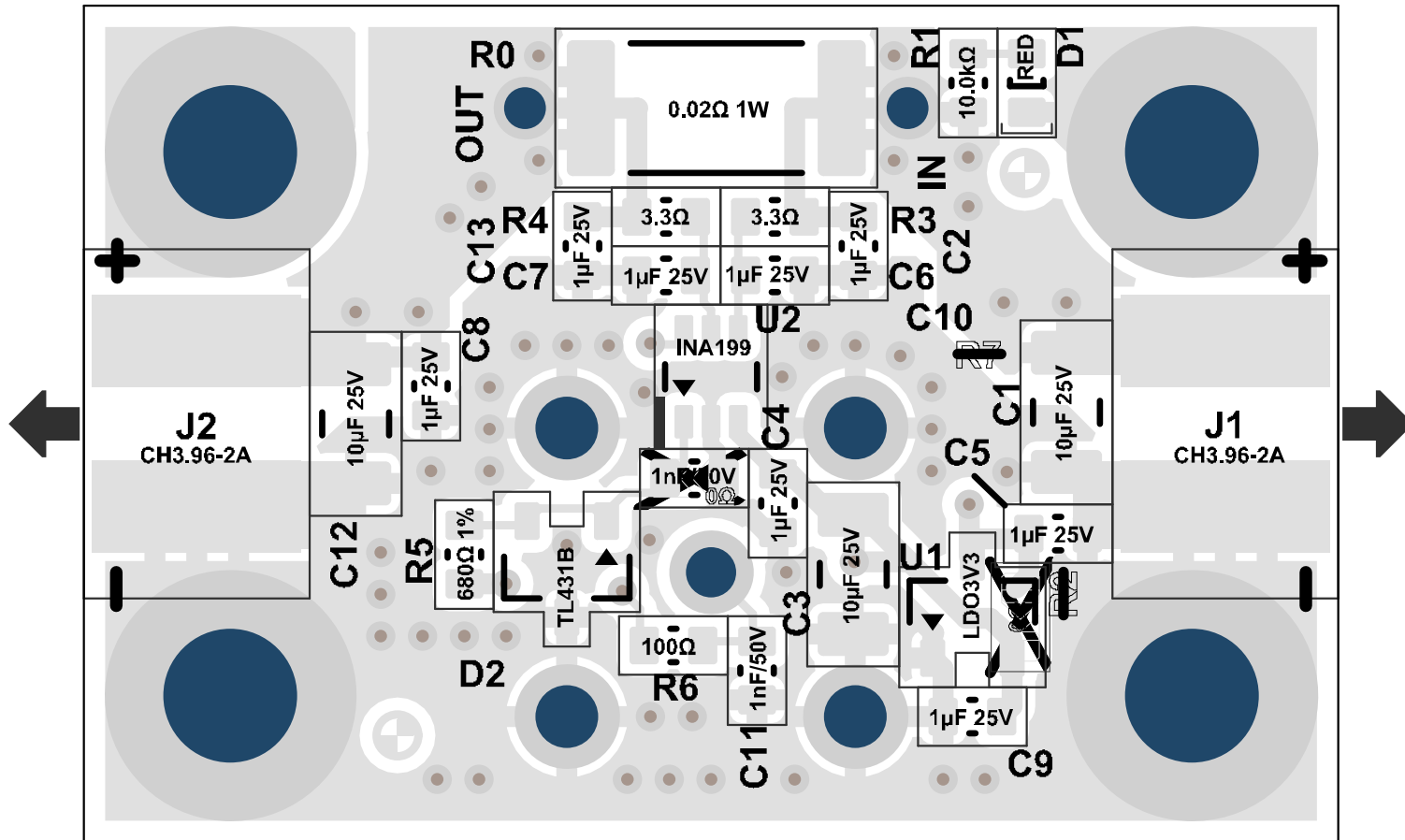


Current sensor			V1.2
Gábor Pintér Einzelunternehmer https://pintergabor.eu	Designed by Pintér Gábor Checked by -	Sheet: 1 of 1	Date: 2020-01-16

**Current sensor
V1.2
Gábor Pintér
Einzelunternehmer
Via: 0.7 / 0.3 mm
Track: 0.2 mm
Isolation: 0.2 mm
PCB thickness: 1.6 mm**



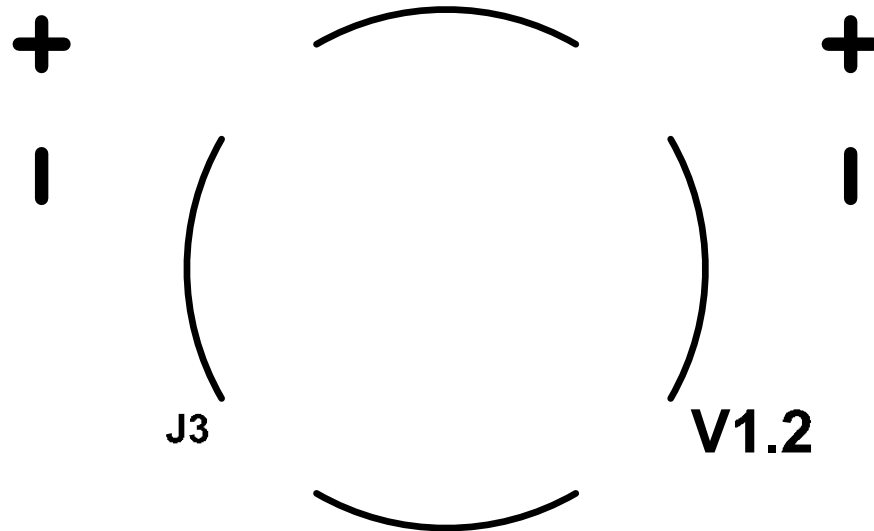


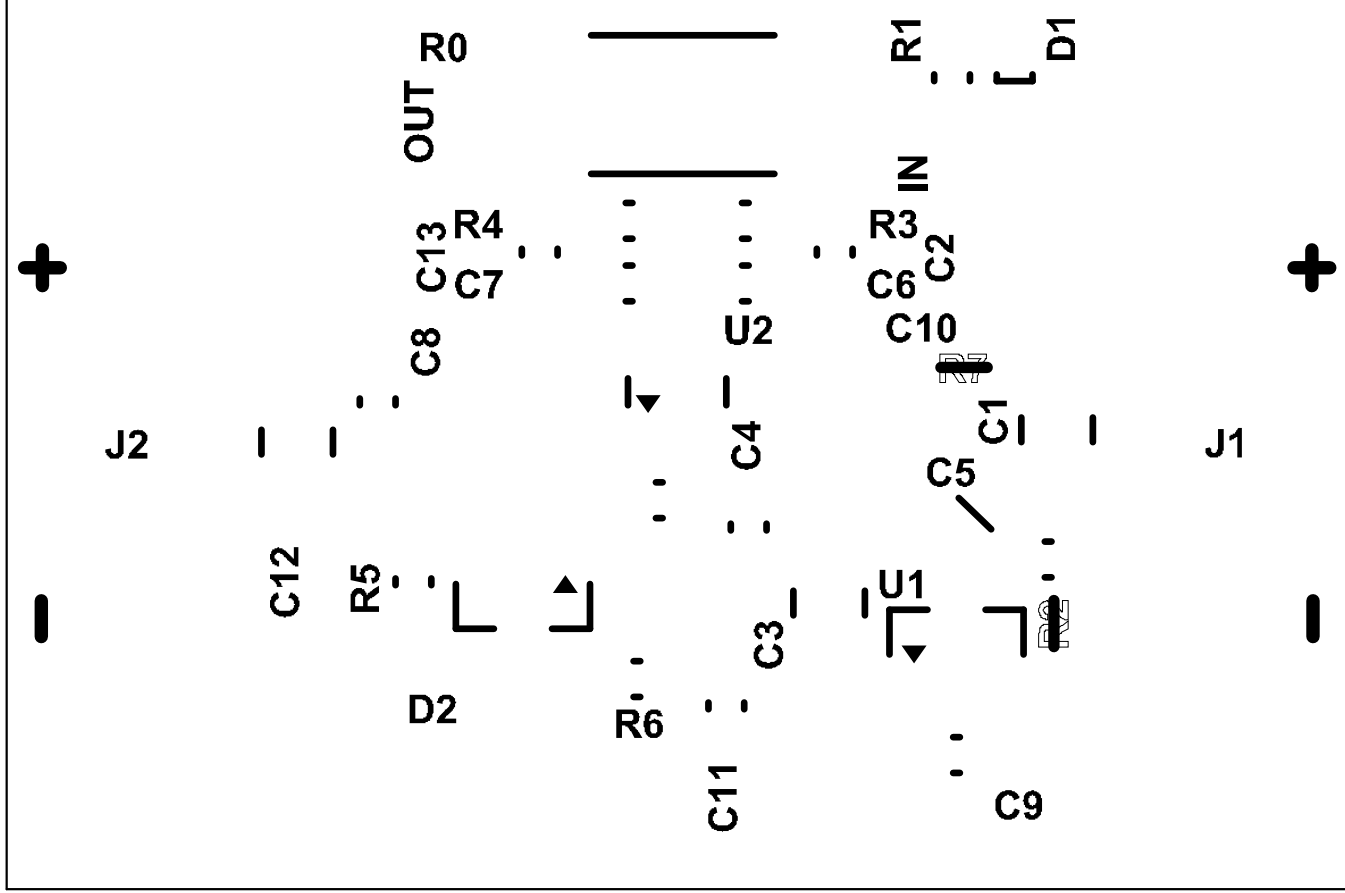


Current Sensor

2020-01-16

<https://pintergabor.eu>





Current
Sensor
2020-01-16

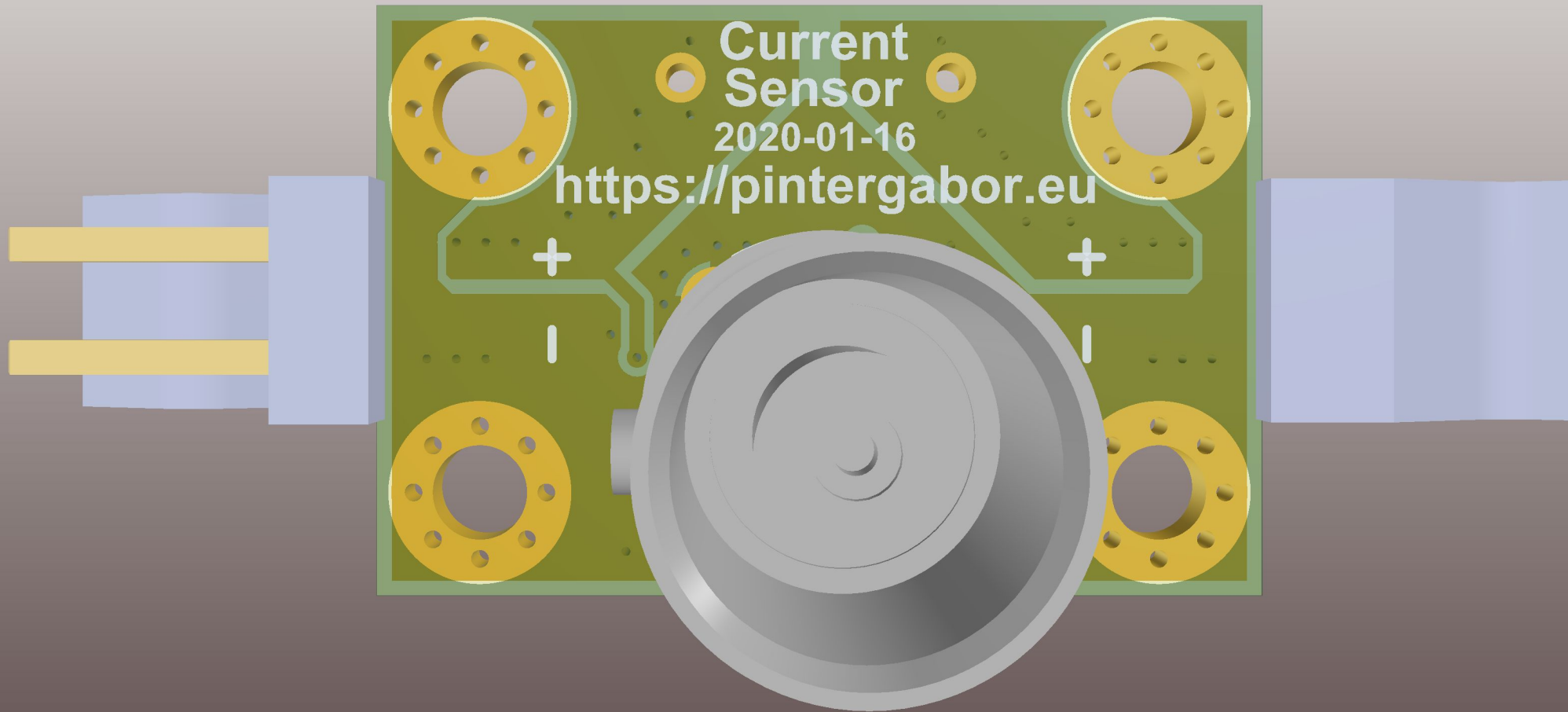
<https://pintergabor.eu>

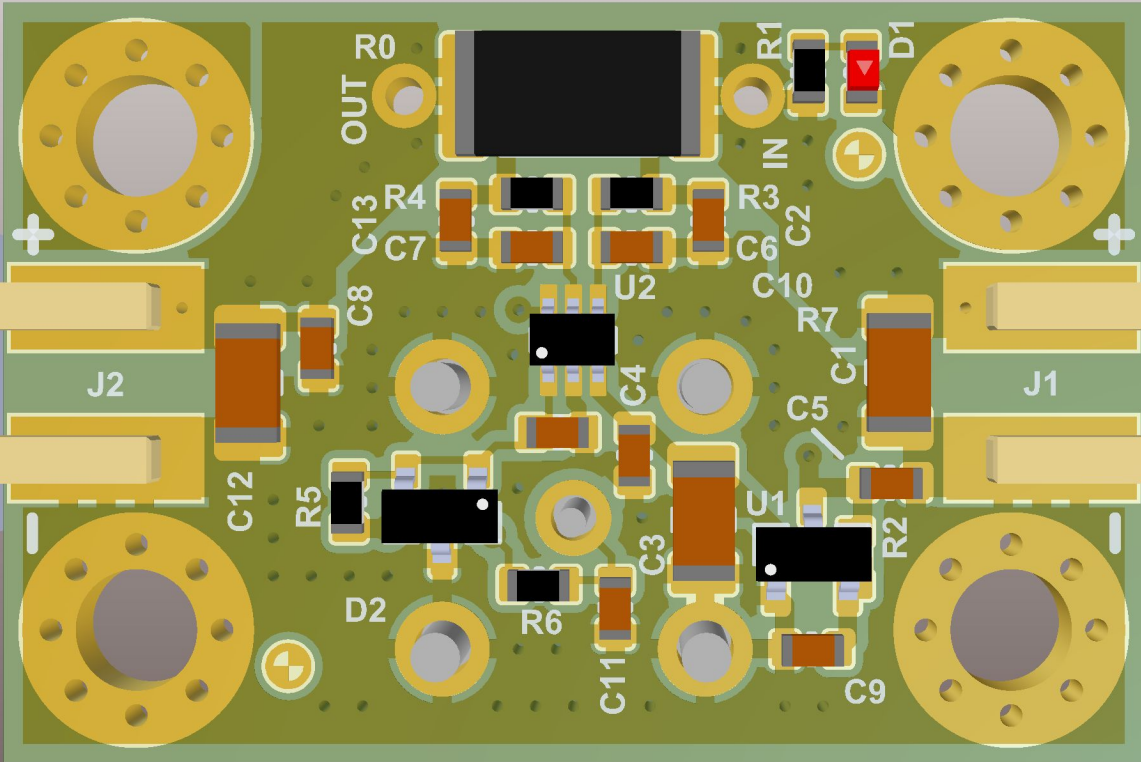
+

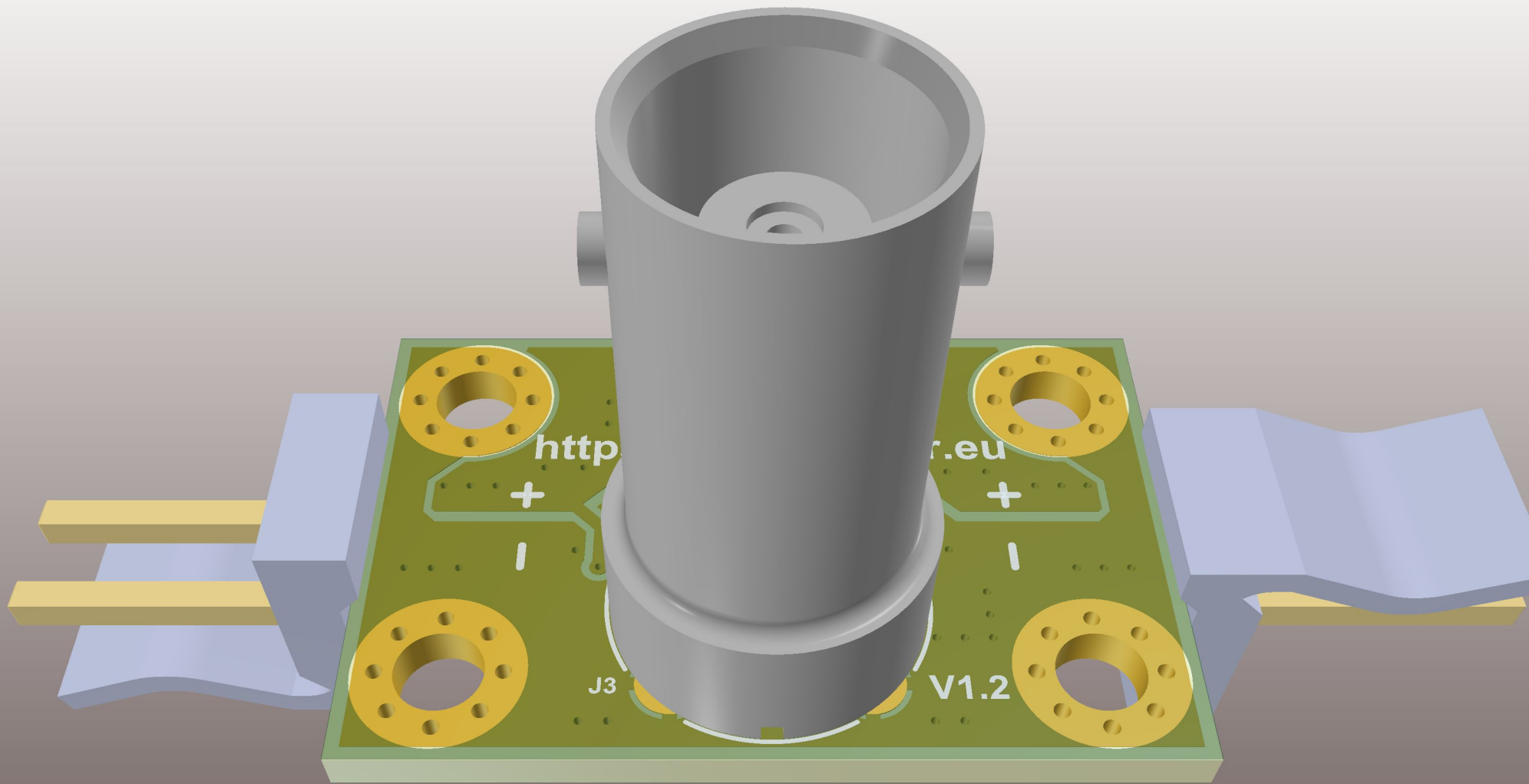
+

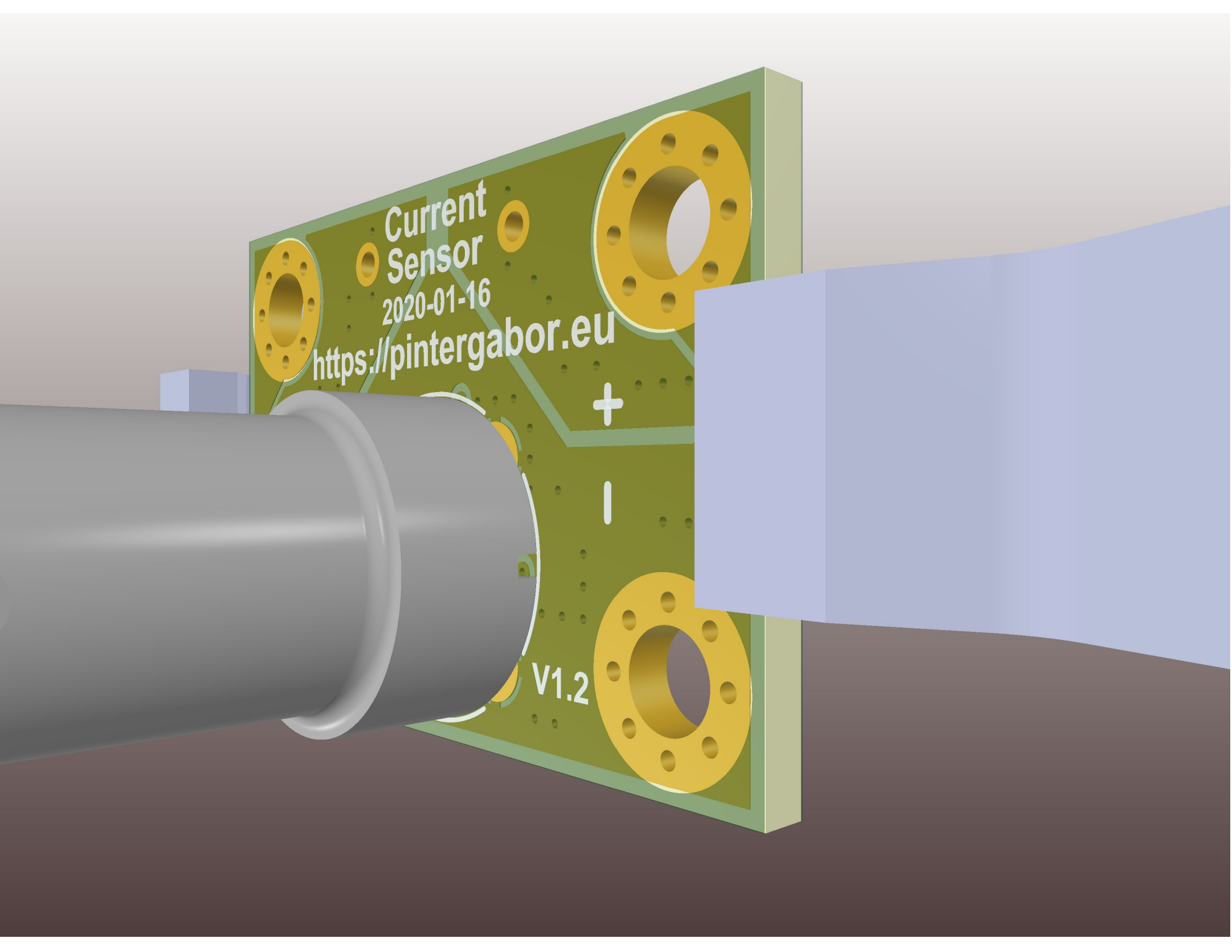
-

-









Current
Sensor
2020-01-16
<https://pintergabor.eu>

+

-

V1.2

