

Retro-Blinky		V1.0	
Gábor Pintér Einzelunternehmer https://pintergabor.eu	Designed by Pintér Gábor Checked by -	Sheet: 1 of 1	Date: 2019-12-15

Retro-Blinky

V1.0

Gábor Pintér

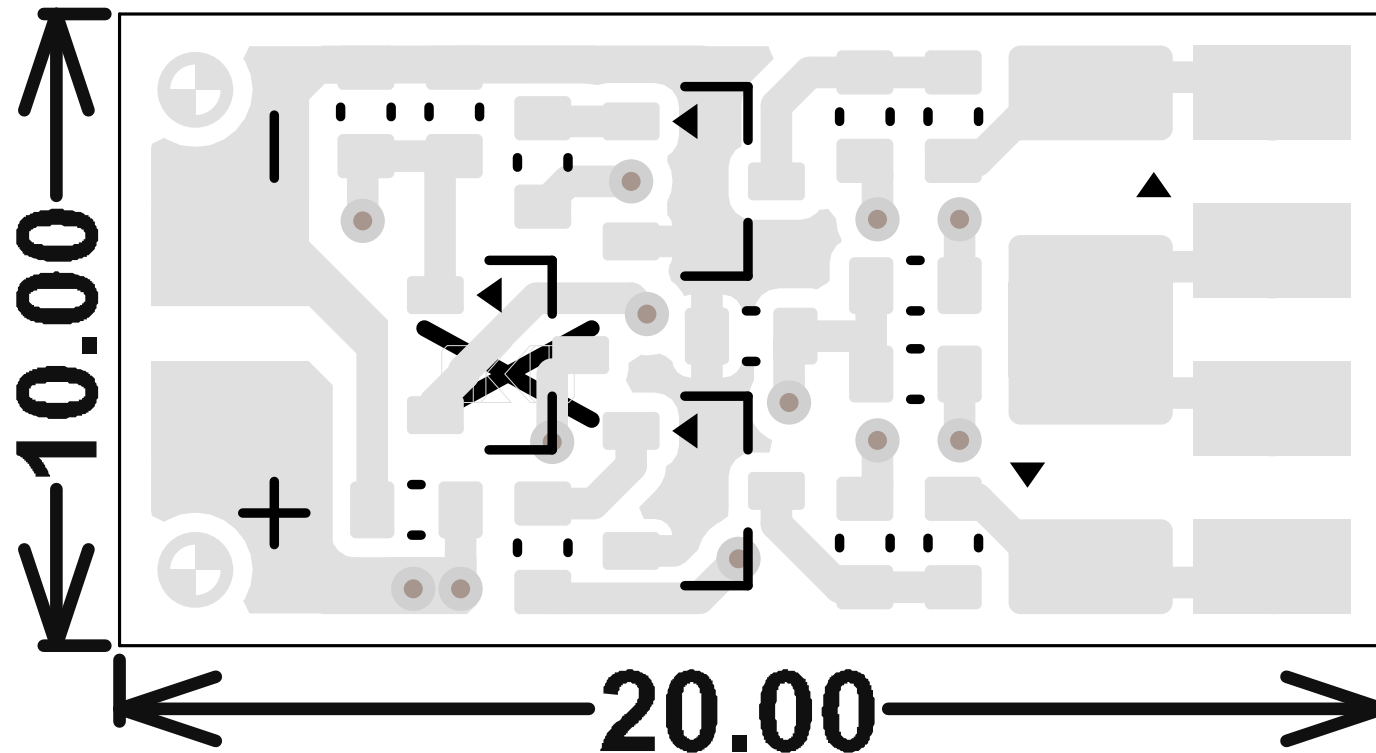
Einzelunternehmer

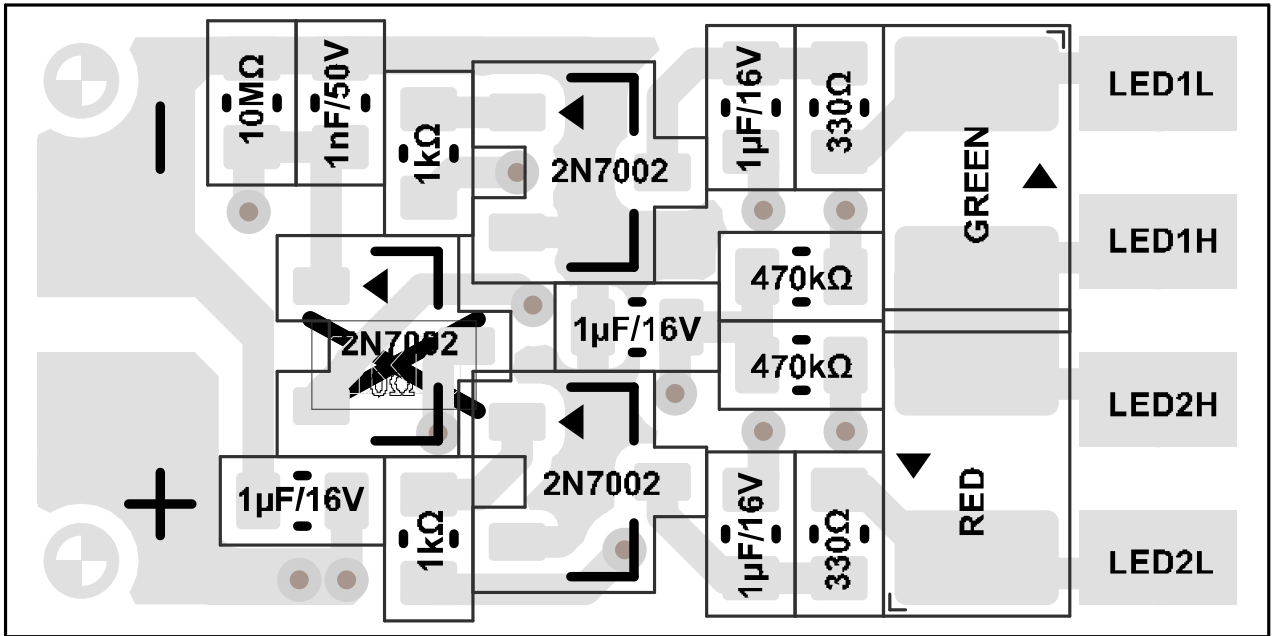
Via: 0.7 / 0.3 mm

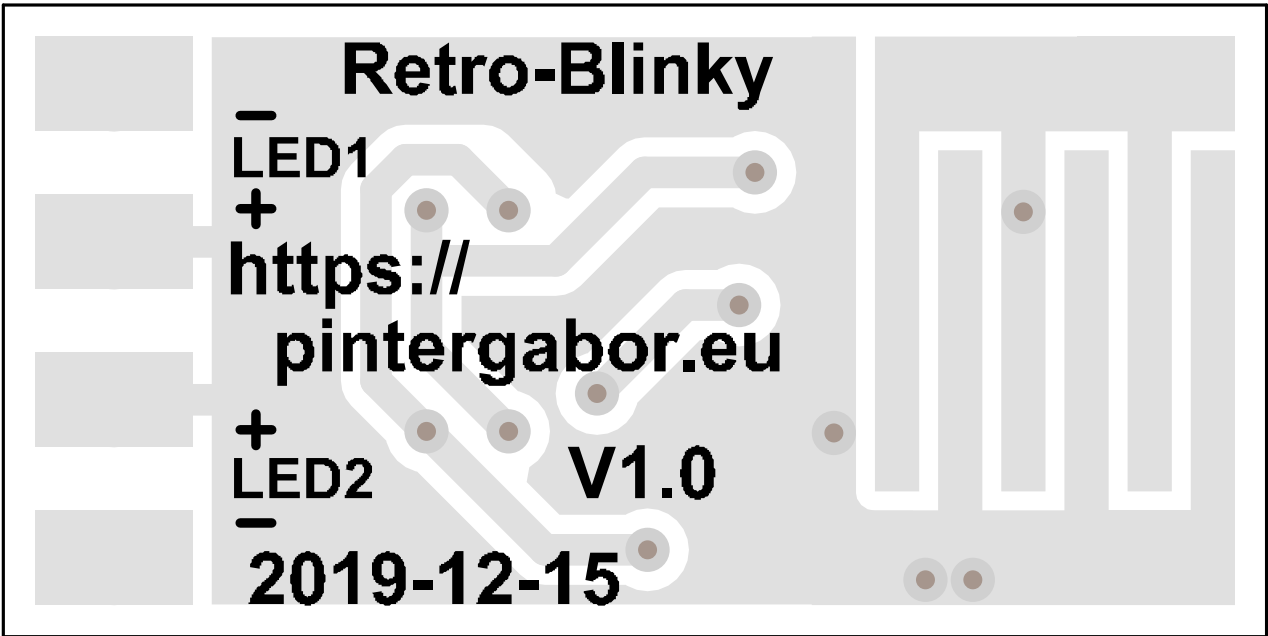
Track: 0.2 mm

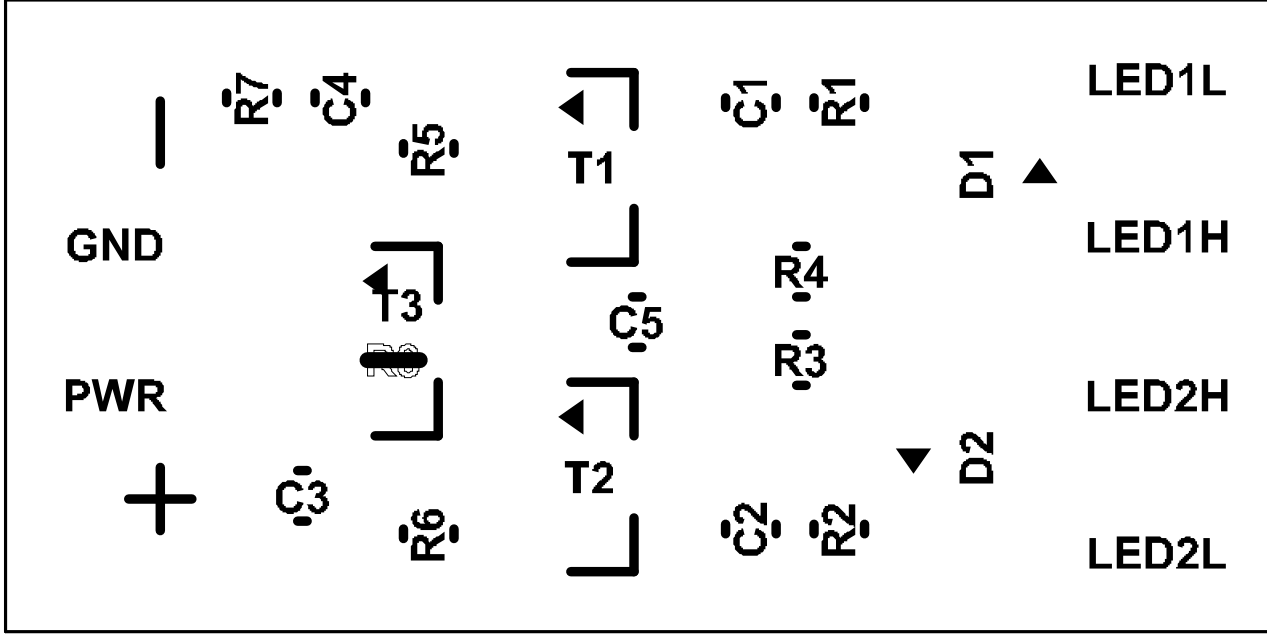
Isolation: 0.2 mm

PCB thickness: 1.6 mm









Retro-Blinky

—
LED1

+

https://

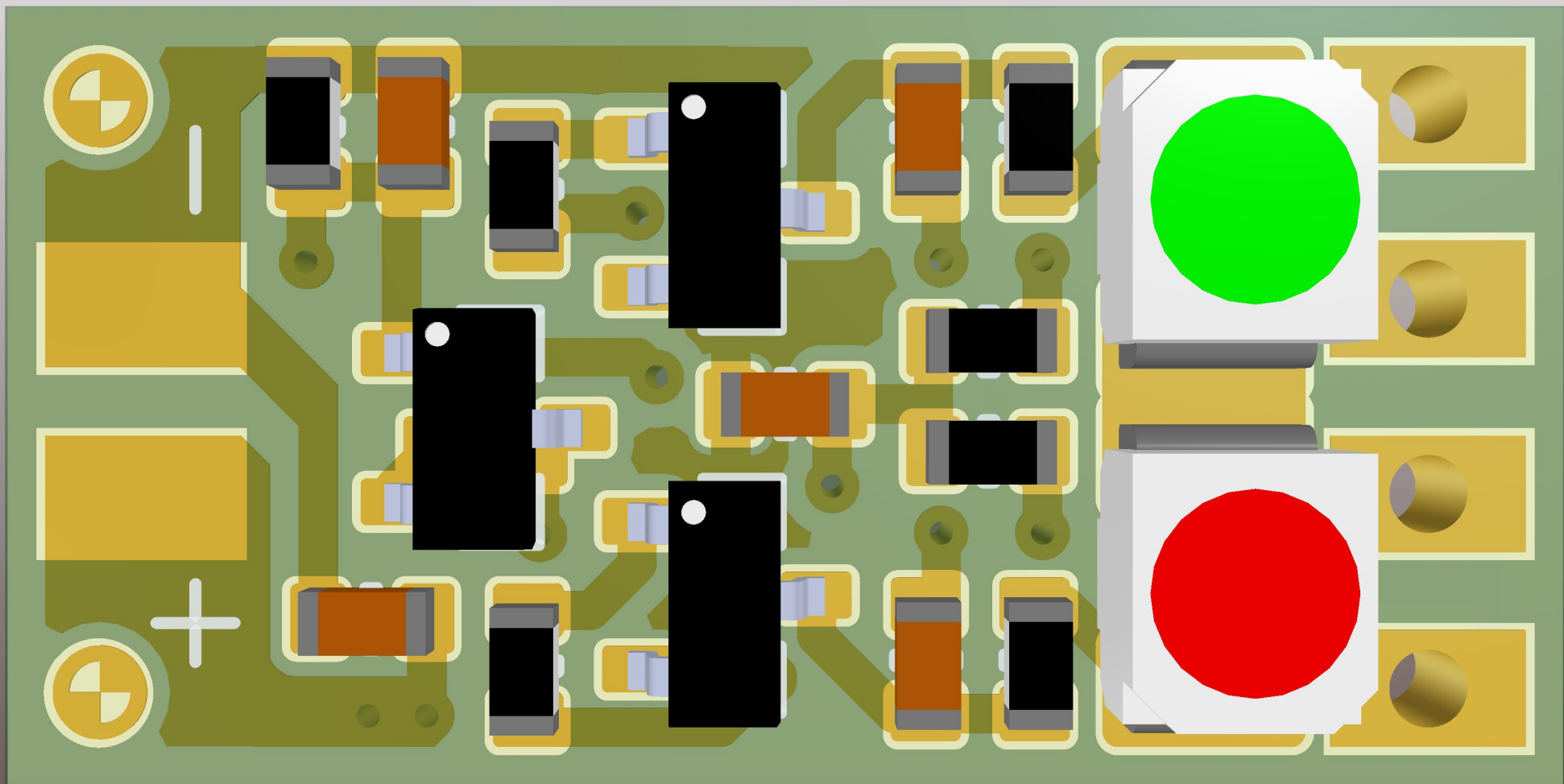
pintergabor.eu

+

LED2 V1.0

—

2019-12-15



Retro-Blinky

—
LED1

+

[https://
pintergabor.eu](https://pintergabor.eu)

+

LED2

V1.0

—

2019-12-15

